



SW-LED

High Abuse Surface Mount **LED** Linear

PRODUCT SPECIFICATION

The SW series is designed for general purpose lighting in high abuse environments.

Mounting

Surface mounts to ceiling. Knockouts on both ends permit continuous fixture mounting.

Lens

One piece, vandal resistant, .156 in., extruded, UV satbilized, prismatic polycarbonate lens.

Housing

16 gauge cold rolled steel, die-formed to shape with seams welded and ground smooth. Additional gauges, aluminum and stainless steel available.

Finish

Polyester powder-coated after phosphate pretreatment for superior adhesion and corrosion resistance. Brushed stainless steel available.

Hardware

Stainless steel, tamper-proof fasteners.

Driver

0-10Vdc dimming, Range 1%-100%
-40°C Min. starting temperature, >0.9 PF, <20% THD

Wiring

Driver provided with pre-wired 3-wire self-aligning input power quick disconnect and 2-wire quick disconnect to LED module.

Certifications

UL Listed damp or wet location. Covered ceilings only. IP54 rated.

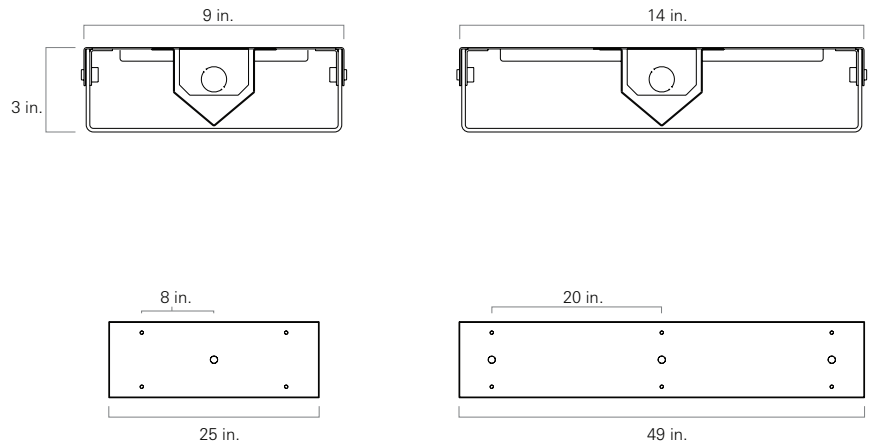
Job Name _____

Fixture Type _____

Catalog No. _____

Approval _____

Date _____



SW	one	two	three	four	five	six	seven	eight	nine	ten	eleven	twelve	thirteen
----	-----	-----	-------	------	------	-----	-------	-------	------	-----	--------	--------	----------

one Fixture Width

9 9 in. width
14 14 in. width

two Luminaire Size

2 2 ft. fixture
4 4 ft. fixture

three LED Rows

2L Two

four Color Temperature

30 3000K
35 3500K
40 4000K
50 5000K

five Material Gauge

N 18 gauge, minimum security
D 16 gauge, medium security, std
X 14 gauge, maximum security

six Material

A Aluminum
C Cold rolled steel, std
S Stainless steel

seven Finish

R Brushed stainless steel
W White

eight Voltage

120 120 V, 60 Hz
277 277 V, 60 Hz
VAR Variable, 120-277 V, 50/60Hz

nine Ballast

DM 0-10VDC Dimming, standard

ten Lens

15 .156 in. polycarbonate K12 prismatic

eleven Fasteners

AP Stainless steel allen head with pin
TP Stainless steel torx head with pin
PH Phillips, non-security

twelve UL Listing

D Damp location
W Wet location

thirteen Options

SO Specified output*
2C Two-circuit wired
CU Canadian UL Listing
EM Emergency battery backup
FH Fuse and holder
IMS Integral Occ Sensor
NL-LED Night light, LED

* Indicated as SO(xx/xxxx). Specified output, Input watts / delivered lumens to be determined based on specified requirements.

Modifications are available to meet custom requirements.