



SS-LED

Security **LED** Surface Ceiling

PRODUCT SPECIFICATION

The SS series is designed for use in all levels of security facilities and high abuse applications.

Mounting

Surface mounts to ceiling.

Housing

Die-formed cold rolled steel with seams welded and ground smooth. Stainless steel available.

Door

One piece, die-formed cold rolled steel door with 14 gauge lens retainers and a full length welded pin piano hinge. Stainless steel available.

Internal Lens

Optic Plus lens (standard) completely hides diode image while providing minimum 95% light transmission.

Finish

Polyester powder-coated after phosphate pretreatment for superior adhesion and corrosion resistance. Brushed stainless steel available.

Hardware

Recessed, stainless steel, tamper-proof fasteners.

Driver

0-10Vdc dimming, Range 1%-100%
-40°C Min. starting temperature, >0.9 PF, <20% THD

Wiring

Driver provided with pre-wired 3-wire self-aligning input power quick disconnect and 2-wire quick disconnect to LED module.

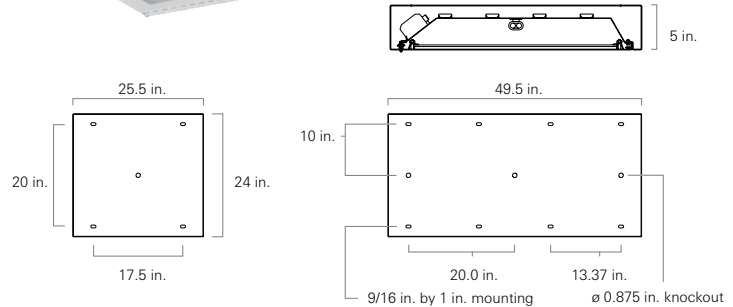
Job Name _____

Fixture Type _____

Catalog No. _____

Approval _____

Date _____



Certifications

UL Listed damp or wet location. IP54 rated. Covered ceilings only.



one	Luminaire Size	seven	Voltage	eleven	Door Fasteners
2	2 ft fixture	120	120 V, 60 Hz	AP	Stainless steel allen head with pin
4	4 ft fixture	277	277 V, 60 Hz	TP	Stainless steel torx head with pin
two	LED Rows	VAR	Variable, 120-277 V, 50/60Hz	PH	Phillips head, non-security
2L	Two	eight	Driver	twelve	Electrical Access
3L	Three	DM	0-10Vdc Dimming, <u>standard</u>	A	2.250 in. diameter access hole
4L	Four	nine	Internal Lens	K	0.875 in. diameter knockout(s), <u>std</u>
three	Color Temperature	122	Optic Plus LED diffusing acrylic lens, <u>std</u>	thirteen	UL Listing
30	3000K	53	.125 in. K12 prismatic acrylic	D	Damp Location
35	3500K	12	.125 in. K12 prismatic polycarbonate	W	Wet Location
40	4000K	15	.156 in. K12 prismatic polycarbonate	fourteen	Options
50	5000K	16	.187 in. K12 prismatic polycarbonate	SO	Specified Output*
four	Material Gauge	75	.156 in. C73 prismatic tempered glass	2C	Two-circuit wired
N	18 gauge, minimum security	ten	External Lens	CU	Canadian UL Listing
D	16 gauge, medium security	30	.187 in. clear polycarbonate	EM	Emergency battery backup
X	14 gauge, maximum security	32	.250 in. clear polycarbonate	FH	Fuse and holder
U	12 gauge, super max, <u>CRS only</u>	36	.375 in. clear polycarbonate	NL-LED	Night light, LED
five	Material	38	.500 in. clear polycarbonate	IMS	Integral Occ Sensor
C	Cold rolled steel	90	.187 in. clear tempered glass		
S	Stainless steel	92	.250 in. clear tempered glass		
six	Finish	96	.375 in. clear tempered glass		
R	Brushed stainless steel				
W	White				

* Indicated as SO(xx/xxxx). Specified output, Input watts / delivered lumens to be determined based on specified requirements

Modifications are available to meet custom requirements.

Photometric Data for a 2x2 fixture with four rows (Full Output)

Lumens	Input Watts	Lumens / Watt	CCT	CRI	LED Life
13007	109 watts	119	3950K	83.1	>100,000

Photometric Data for a 2x4 fixture with three rows (Full Output)

Lumens	Input Watts	Lumens / Watt	CCT	CRI	LED Life
22250	175.5 watts	127	3896K	83.4	>100,000

Coefficients of Utilization - Zonal Cavity Method (SS-LED 2x4)

Effective Floor Cavity Reflectance: 20%

RCC %:	80				70				50			30			10			0
RW %:	70	50	30	0	70	50	30	0	50	30	20	50	30	20	50	30	20	0
RCC: 0	1.19	1.19	1.19	1.19	1.16	1.16	1.16	1.00	1.11	1.11	1.11	1.06	1.06	1.06	1.02	1.02	1.02	1.00
1	1.10	1.05	1.01	.98	1.07	1.03	.99	.86	.99	.96	.93	.95	.92	.90	.91	.89	.88	.86
2	1.00	.92	.86	.80	.97	.90	.84	.73	.87	.82	.78	.84	.79	.76	.81	.77	.74	.72
3	.91	.81	.73	.67	.89	.80	.72	.63	.77	.71	.65	.74	.69	.64	.72	.67	.63	.61
4	.84	.72	.64	.57	.82	.71	.63	.54	.69	.62	.56	.66	.60	.55	.64	.59	.55	.53
5	.77	.65	.56	.50	.75	.64	.55	.48	.62	.54	.49	.60	.53	.48	.58	.52	.48	.46
6	.71	.58	.50	.43	.70	.58	.49	.42	.56	.48	.43	.54	.48	.43	.53	.47	.42	.40
7	.66	.53	.45	.39	.65	.52	.44	.37	.51	.43	.38	.49	.43	.38	.48	.42	.38	.36
8	.62	.49	.40	.34	.60	.48	.40	.34	.47	.39	.34	.45	.39	.34	.44	.38	.34	.32
9	.58	.45	.37	.31	.56	.44	.36	.30	.43	.36	.31	.42	.35	.31	.41	.35	.31	.29
10	.54	.41	.33	.28	.53	.41	.33	.28	.40	.33	.28	.39	.32	.28	.38	.32	.28	.26

SS-LED - Polar Candela Distribution (SS-LED 2x4)

