



# RW3-LED

High Abuse **LED** Surface Mount Linear

## PRODUCT SPECIFICATION

The RW3 series is designed for general purpose lighting in high abuse environments.

### Mounting

Surface mounts to ceiling. Knockouts on both ends permit continuous fixture mounting.

### Lens

One piece, vandal resistant, .125 in., extruded, UV stabilized, frosted opal polycarbonate lens.

### Housing

18 gauge cold rolled steel die formed to shape. Stainless steel available.

### Finish

Polyester powder-coated after phosphate pretreatment for superior adhesion and corrosion resistance. Brushed stainless steel available.

### Hardware

Stainless steel, tamper-proof fasteners.

### Driver

0-10Vdc dimming, Range 1%-100%  
-40°C Min. starting temperature, >0.9 PF, <20% THD

### Wiring

Driver provided with pre-wired 3-wire self-aligning input power quick disconnect and 2-wire quick disconnect to LED module.

### Certifications

UL Listed damp or wet location.  
Covered ceilings only. IP43 rated.

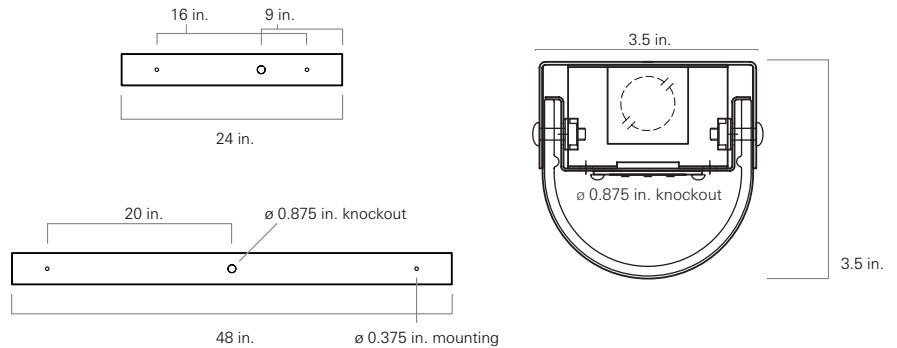
Job Name \_\_\_\_\_

Fixture Type \_\_\_\_\_

Catalog No. \_\_\_\_\_

Approval \_\_\_\_\_

Date \_\_\_\_\_



**one Luminaire size**  
2 2 ft. fixture  
4 4 ft. fixture

**two LED rows**  
1L One

**three Color Temperature**  
30 3000K  
35 3500K  
40 4000K  
50 5000K

**four Material**  
C Cold rolled steel  
S Stainless steel  
A Aluminum

**five Finish**  
R Brushed stainless steel  
W White

**six Voltage**  
120 120 V, 60 Hz  
277 277 V, 60 Hz  
VAR Variable, 120-277 V, 50/60Hz

**seven Driver**  
DM 0-10Vdc Dimming, standard

**eight Fasteners**  
AP Stainless steel allen head with pin  
TP Stainless steel torx head with pin  
PH Phillips, non-security

**nine UL Listing**  
D Damp Location  
W Wet location

**ten Options**  
SO Specified output\*  
CU Canadian UL Listing  
EM Emergency battery backup  
FH Fuse and holder  
RMxx\* Row mounting  
*Includes Chase Nipple(s), PVC Gasket(s), and Sealing Locknut(s)*

\*xx = Length of row in feet

\* Indicated as SO (xx/xxxx). Specified output, Input watts / delivered lumens to be determined based on specified requirements.

Modifications are available to meet custom requirements.

Photometric Data for a 2-ft fixture (Full Output)

Lumens	Input Watts	Lumens / Watt	CCT	CRI	LED Life
2637	26 watts	101	4000K	>80	>100,000

Photometric Data for a 4-ft fixture (Full Output)

Lumens	Input Watts	Lumens / Watt	CCT	CRI	LED Life
5438	51 watts	106	4000K	>80	>100,000

Coefficients of Utilization - Zonal Cavity Method

Effective Floor Cavity Reflectance: 20%

RCC %:	80				70				50			30			10			0
	70	50	30	0	70	50	30	0	50	30	20	50	30	20	50	30	20	0
RW %:	1.16	1.16	1.16	1.16	1.12	1.12	1.12	.89	1.05	1.05	1.05	.98	.98	.98	.92	.92	.92	.89
RCR: 0	1.16	1.16	1.16	1.16	1.12	1.12	1.12	.89	1.05	1.05	1.05	.98	.98	.98	.92	.92	.92	.89
1	1.04	.98	.93	.88	1.00	.94	.90	.70	.88	.84	.81	.82	.79	.76	.77	.74	.72	.69
2	.93	.84	.76	.70	.89	.81	.74	.57	.76	.70	.65	.71	.66	.62	.66	.62	.59	.56
3	.85	.73	.64	.57	.81	.71	.62	.48	.66	.59	.53	.62	.56	.51	.58	.53	.49	.46
4	.77	.64	.55	.48	.74	.62	.53	.40	.58	.51	.45	.54	.48	.43	.51	.46	.41	.39
5	.71	.57	.48	.41	.68	.55	.46	.35	.52	.44	.38	.49	.42	.37	.46	.40	.36	.33
6	.65	.51	.42	.35	.62	.50	.41	.30	.47	.39	.33	.44	.37	.32	.41	.36	.31	.29
7	.60	.46	.37	.31	.58	.45	.36	.27	.42	.35	.29	.40	.33	.28	.38	.32	.27	.25
8	.56	.42	.33	.27	.54	.41	.33	.24	.39	.31	.26	.37	.30	.25	.35	.29	.24	.22
9	.52	.39	.30	.24	.50	.38	.30	.22	.36	.28	.23	.34	.27	.23	.32	.26	.22	.20
10	.49	.36	.27	.22	.47	.35	.27	.20	.33	.26	.21	.31	.25	.21	.30	.24	.20	.18

RW3-LED 4-ft Polar Candela Distribution

