



LPS-LED

High Abuse Surface Mount **LED** Linear

PRODUCT SPECIFICATION

The LPS series is designed for general purpose lighting in high abuse environments.

Mounting

Surface mounts to ceilings or walls.

Lens

Vandal resistant, injection molded, UV stabilized, prismatic polycarbonate lens.

Housing

Cold rolled steel die formed to shape with seams welded and ground smooth. Stainless steel available.

Finish

Polyester powder-coated after phosphate pretreatment for superior adhesion and corrosion resistance. Brushed stainless steel available.

Hardware

Stainless steel, tamper-proof fasteners.

Driver

0-10Vdc dimming, Range 1%-100%
-40°C Min. starting temperature, >0.9 PF, <20% THD

Wiring

Driver provided with pre-wired 3-wire self-aligning input power quick disconnect and 2-wire quick disconnect to LED module.

Certifications

UL Listed wet location. Covered ceilings only.
IP65 rated

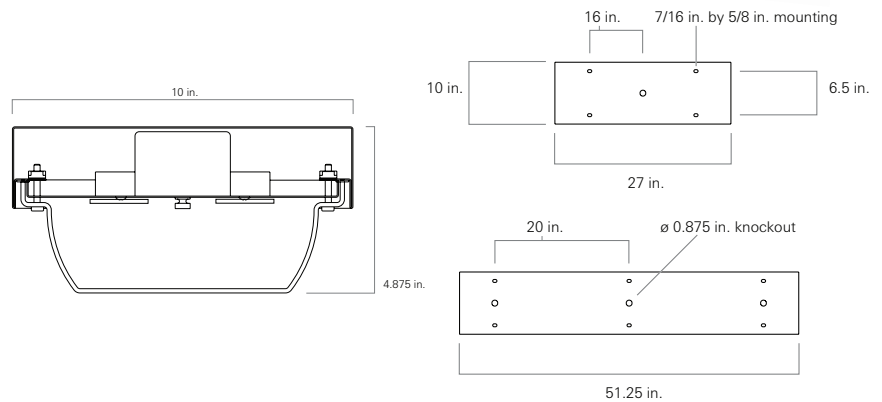
Job Name _____

Fixture Type _____

Catalog No. _____

Approval _____

Date _____



one Luminaire Size

- 2 2 ft. fixture
- 4 4 ft. fixture

two LED Rows

- 1L One
- 2L Two

three Color Temperature

- 30 3000K
- 35 3500K
- 40 4000K
- 50 5000K

four Material

- C Cold rolled steel
- S Stainless steel

five Finish

- W White
- R Brushed stainless steel

six Voltage

- 120 120 V, 60 Hz
- 277 277 V, 60 Hz
- VAR Variable, 120-277 V, 50/60Hz

seven Driver

- DM 0-10VDC Dimming, standard

eight Fasteners

- AP Stainless steel allen head with pin
- TP Stainless steel torx head with pin
- PH Phillips, non-security

nine Electrical Access

- A 2.250 in. diameter access hole
- K 0.875 in. diameter knockout(s), std

ten UL Listing

- D Damp or Dry location
- W Wet location, IP65, ceiling mount
- H Wet location, IP65, horizontal wall mount

eleven Options

- SO Specified output*
- 2C Two-circuit wired
- CU Canadian UL Listing
- EM Emergency battery backup
- FH Fuse and holder
- IMS Integral Occ Sensor
- NL-LED Night light, LED

Consult factory for aluminum or 14 - 18 gauge CRS and stainless steel

* Indicated as SO(xx/xxxx). Specified output, Input watts / delivered lumens to be determined based on specified requirements

Modifications are available to meet custom requirements.

Photometric Data for a 4-ft fixture (Full Output)

| Lumens | Input Watts | Lumens / Watt | CCT | CRI | LED Life |
|--------|-------------|---------------|-------|-----|----------|
| 10550 | 106.4 watts | 99 | 4000K | >80 | >100,000 |

Coefficients of Utilization - Zonal Cavity Method

Effective Floor Cavity Reflectance: 20%

| RCC %: | 80 | | | | 70 | | | | 50 | | | 30 | | | 10 | | | 0 |
|--------|------|------|------|------|------|------|------|-----|------|------|------|------|------|------|-----|-----|-----|-----|
| RW %: | 70 | 50 | 30 | 0 | 70 | 50 | 30 | 0 | 50 | 30 | 20 | 50 | 30 | 20 | 50 | 30 | 20 | 0 |
| RCR: 0 | 1.17 | 1.17 | 1.17 | 1.17 | 1.14 | 1.14 | 1.14 | .93 | 1.07 | 1.07 | 1.07 | 1.01 | 1.01 | 1.01 | .96 | .96 | .96 | .93 |
| 1 | 1.06 | 1.01 | .96 | .92 | 1.02 | .98 | .93 | .76 | .92 | .89 | .85 | .87 | .84 | .82 | .82 | .80 | .78 | .75 |
| 2 | .96 | .87 | .80 | .74 | .93 | .85 | .78 | .63 | .80 | .74 | .70 | .76 | .71 | .67 | .72 | .68 | .64 | .62 |
| 3 | .87 | .76 | .67 | .61 | .84 | .74 | .66 | .53 | .70 | .63 | .58 | .66 | .61 | .56 | .63 | .58 | .54 | .52 |
| 4 | .80 | .67 | .58 | .51 | .77 | .65 | .57 | .46 | .62 | .55 | .49 | .59 | .53 | .48 | .56 | .51 | .46 | .44 |
| 5 | .73 | .60 | .51 | .44 | .70 | .58 | .50 | .39 | .55 | .48 | .42 | .53 | .46 | .41 | .50 | .45 | .40 | .38 |
| 6 | .67 | .54 | .45 | .38 | .65 | .52 | .44 | .35 | .50 | .42 | .37 | .48 | .41 | .36 | .45 | .40 | .35 | .33 |
| 7 | .62 | .49 | .40 | .33 | .60 | .47 | .39 | .31 | .45 | .38 | .32 | .43 | .37 | .32 | .41 | .36 | .31 | .29 |
| 8 | .58 | .44 | .36 | .30 | .56 | .43 | .35 | .27 | .41 | .34 | .29 | .40 | .33 | .28 | .38 | .32 | .28 | .26 |
| 9 | .54 | .41 | .32 | .27 | .52 | .40 | .32 | .25 | .38 | .31 | .26 | .37 | .30 | .25 | .35 | .29 | .25 | .23 |
| 10 | .51 | .37 | .29 | .24 | .49 | .37 | .29 | .22 | .35 | .28 | .23 | .34 | .28 | .23 | .33 | .27 | .23 | .21 |

LPS-LED 4-ft - Polar Candela Distribution

