

intent

The RXF series is designed for dust free operation in cleanrooms.

mounting

Mounts recessed in ceilings via two adjustable yokes.

housing

Made from sheet steel die formed to shape with seams welded, ground smooth, and calked airtight.

door

Gasketed and sealed to prevent contaminating airflow through the luminaire.

finish

Polyester powder coated after phosphate treatment for superior adhesion and corrosion resistance. Door is also available in brushed stainless steel.

hardware

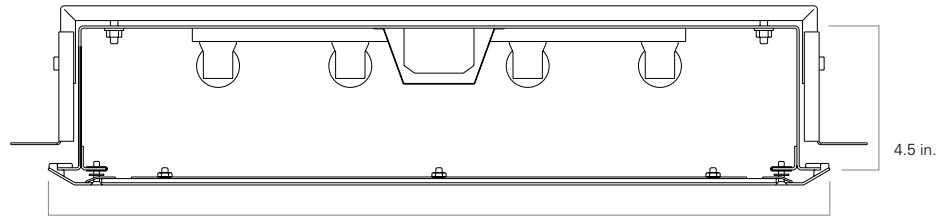
Recessed stainless steel fasteners provide luminaire access.

wiring

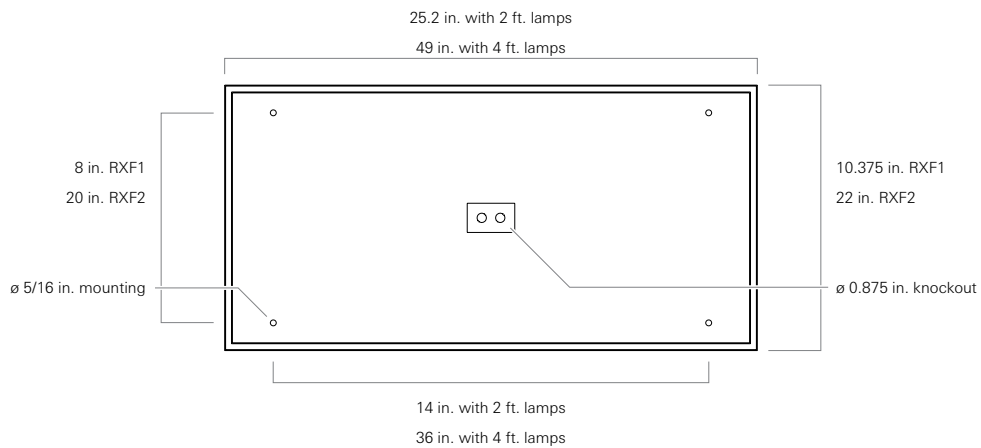
Two 0.875 in. knockouts on a gasketed topside access plate provide wire entry.

certifications

Wet location UL listed.



12 in. RXF1 / 27.875 in. RXF2





one luminaire width

- 1 1 ft., three lamp maximum
- 2 2 ft.

two lamp quantity

- 2 two
- 3 three
- 4 four
- 6 six

three lamps (not included)

- 14 2 ft. 14 W T5
- 17 2 ft. 17 W T8
- 24 2 ft. 24 W T5 HO
- 4B 2 ft. 40 W T5 biax
- 28 4 ft. 28 W T5
- 32 4 ft. 32 W T8
- 54 4 ft. 54 W T5 HO, four lamp maximum

four ballast

- DM dimming
- EL electronic
- RS rapid start
- HO high output
- PR program start

five voltage (60 Hz)

- 120 120 V
- 277 277 V
- 347 347 V
- VAR variable, 120-277 V

six door material

- A aluminum
- C cold rolled steel
- S stainless steel

seven door finish

- R brushed, stainless steel only
- W white

eight lens

- 12 0.125 in. polycarbonate K12 prismatic
- 15 0.156 in. polycarbonate K12 prismatic
- 53 0.125 in. acrylic K12 prismatic

nine options

- 2C two circuit wired
- CU Canadian UL listing
- E1 one lamp emergency service
- E2 two lamp emergency service
- FH fuse and holder