**intent**

The RXC series is designed for dust free operation in cleanrooms. Its low profile, large window design maximizes light output while minimizing space requirements.

**mounting**

Surface mounts to ceilings or mounts recessed in 1 in. T grid ceilings.

**lens**

Prismatic, installed smooth side towards the environment.

**housing**

Made from sheet steel die formed to shape with seams welded, ground smooth, and calked airtight.

**door**

Gasketed and sealed to prevent contaminating airflow through the fixture.

**finish**

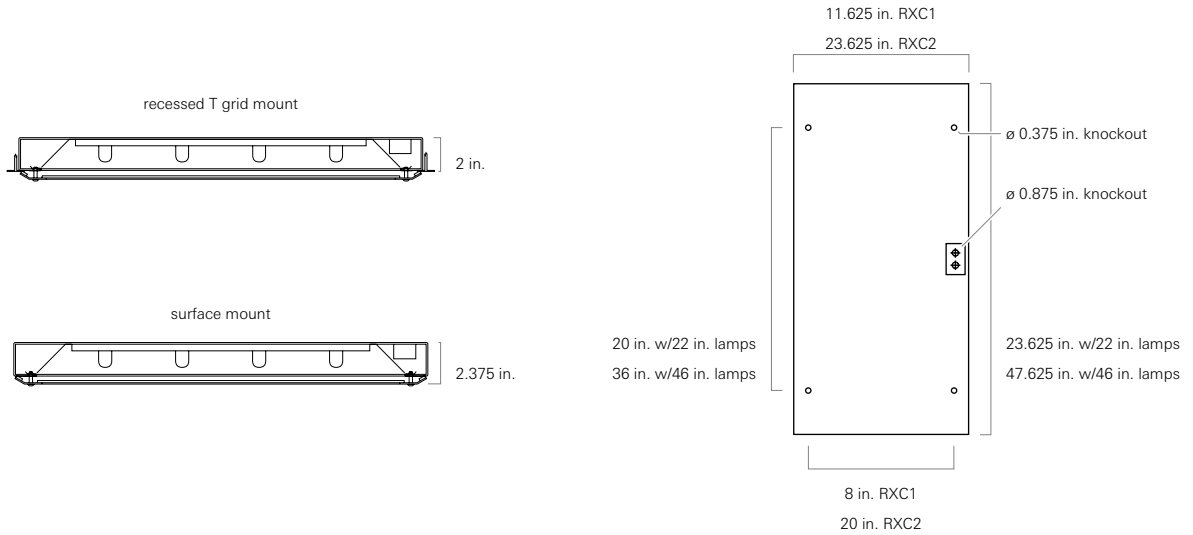
Polyester powder coated after phosphate pretreatment for superior adhesion and corrosion resistance. Brushed stainless steel is also available.

**wiring**

Two 0.875 in. knockouts on a topside access plate provide wire entry.

**certifications**

Wet location UL listed.



**one luminaire width**

- 1 1 ft., three lamp maximum
- 2 2 ft.

**two lamp quantity**

- 2 two
- 3 three
- 4 four

**three lamps (not included)**

- 14 22 in. 14 W T5
- 28 46 in. 28 W T5
- 54 46 in. 54 W T5 HO

**four voltage (60 Hz)**

- 120 120 V
- 277 277 V
- 347 347 V
- VAR variable, 120-277 V

**five material**

- A aluminum
- C cold rolled steel
- S stainless steel

**six finish**

- R brushed, stainless steel only
- W white

**seven lens**

- 12 0.125 in. polycarbonate K12 prismatic
- 15 0.156 in. polycarbonate K12 prismatic
- 53 0.125 in. acrylic K12 prismatic

**eight options**

- E1 one lamp emergency service