**intent**

The CLS series is designed for general purpose lighting in hazardous industrial environments.

mounting

Surface mounts to ceilings via shock absorbing mounting brackets.

lens

0.156 in. Prismatic lens gasketed with extruded neoprene.

housing

Made from 18 gauge sheet steel die formed to shape with welded and ground smooth.

door

Made from 16 gauge sheet steel.

finish

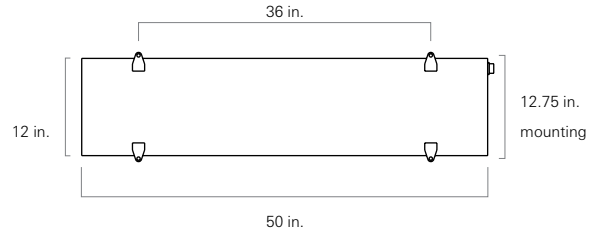
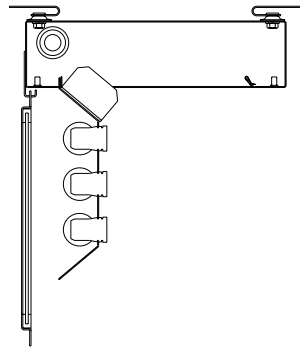
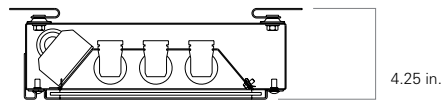
Polyester powder coated after phosphate treatment for superior adhesion and corrosion resistance. Brushed stainless steel is also available.

wiring

Reflector mounted electrical components for easy wiring and maintenance. A 0.5 in. NPT hazardous location conduit hub provides wire entry.

certifications

UL 844 listed. IP 54 rated. Class 1 division 2 certified.



one lamps (not included)

- 32 4 ft. 32 W T8 RS
- 54 4 ft. 54 W T5 HO

two lamp quantity

- 1 one
- 2 two
- 3 three

three material

- C cold rolled steel
- S stainless steel

four finish

- R brushed, stainless steel only
- W white

five voltage (60 Hz)

- 120 120 V
- 277 277 V
- 347 347 V
- VAR variable, 120-277 V

six ballast

- EL electronic
- HO high output

seven lens

- 15 0.156 in. polycarbonate K12 prismatic
- 55 0.156 in. acrylic K12 prismatic
- 75 0.156 in. tempered glass prismatic

eight door fasteners

- AP stainless steel allen head with pin
- TP stainless steel torx head with pin
- PH phillips, non security

nine options

- 2H two conduit hubs, one each end
- CU Canadian UL listing
- E1 one lamp emergency service
- E2 two lamp emergency service
- NL night light, F8 T5 lamp not included