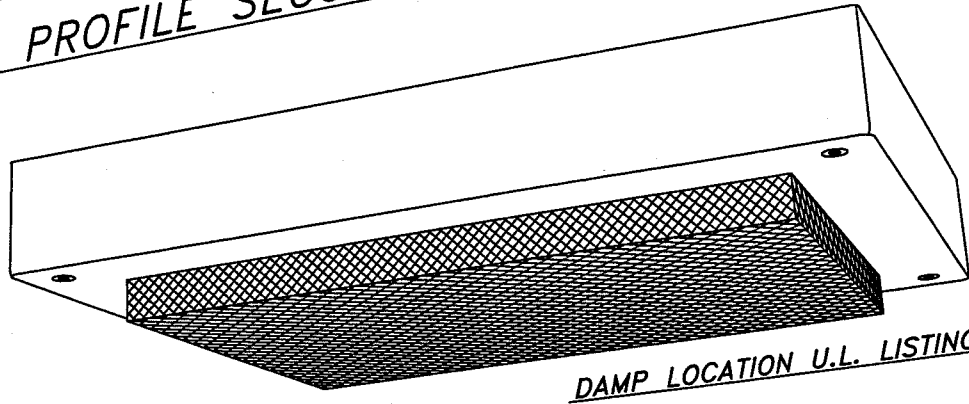
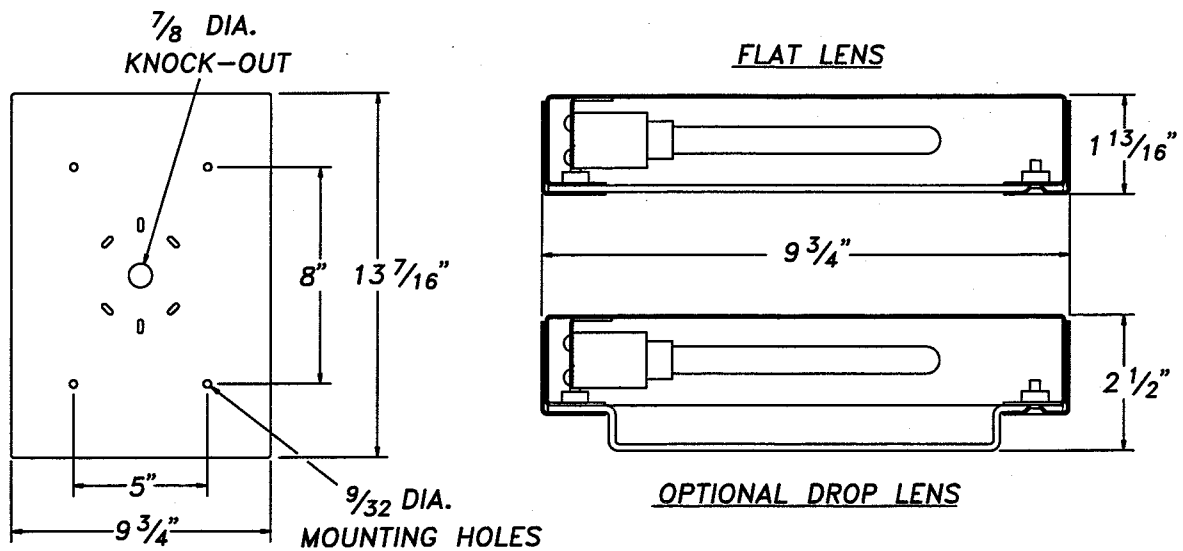


SECURITY / VANDAL RESISTANT

WL SERIES LOW PROFILE SECURITY SURFACE LUMINAIRE



- IDEAL FOR ABUSIVE ENVIRONMENTS WITH SPACE LIMITATIONS.
- 18 GAUGE, DIE FORMED, CONTINUOUSLY WELDED HOUSING.
- SPECIAL LENS COLORS, PATTERNS AND SIGNAGE AVAILABLE.
- STAINLESS STEEL, TAMPERPROOF, CAPTIVE SCREWS.



THE L.C. DOANE COMPANY DESIGNERS AND MANUFACTURERS OF SPECIALIZED LIGHTING EQUIPMENT
P.O. Box 975 • Essex, CT 06426 • (860) 767-8295 • Fax (860) 767-1397 • Web Site: www.lcdoane.com

SECURITY / VANDAL RESISTANT

EXAMPLE: WL132-CW-277-12-AP

WL			-			-		-		-	
CHART	1	2	3	4	5	6	7	OPTIONS			

CHART #1 LAMPS	
07	7W PL-S, G23
09	9W PL-S, G23
13	13W PL-S, G23

CHART #6 LENS	
12	.125 POLYCARBONATE, PRISMATIC
53	.125 ACRYLIC, PRISMATIC
52	.125 WHITE ACRYLIC

CHART #2 LAMP QTY.		
<input checked="" type="checkbox"/>	<input type="checkbox"/>	<input type="checkbox"/>
1	2	3
LAMPS NOT INCLUDED		

CHART #7 DOOR FASTENERS	
AP	ALLEN HEAD W/PIN, STAINLESS STEEL
TP	TORX HEAD W/PIN, STAINLESS STEEL
PH	PHILLIPS HEAD, NON-SECURITY

CHART #3 MATERIAL SPEC.	
<input checked="" type="checkbox"/>	C COLD ROLLED STEEL (STD.)
<input type="checkbox"/>	S STAINLESS STEEL
<input type="checkbox"/>	A ALUMINUM

OPTIONS	
HP	HIGH POWER FACTOR
DL	DROP LENS

CHART #4 FINISH	
<input checked="" type="checkbox"/>	W WHITE
<input type="checkbox"/>	R BRUSHED (STAINLESS ONLY)
<input type="checkbox"/>	CUSTOM COLOR

DIMENSIONS AND SPECIFICATIONS SUBJECT TO CHANGE WITHOUT NOTIFICATION.

CHART #5 VOLTAGE (60 Hz.)	
<input checked="" type="checkbox"/>	120
<input checked="" type="checkbox"/>	277

MODIFICATIONS ARE AVAILABLE TO SUIT CUSTOM REQUIREMENTS.

