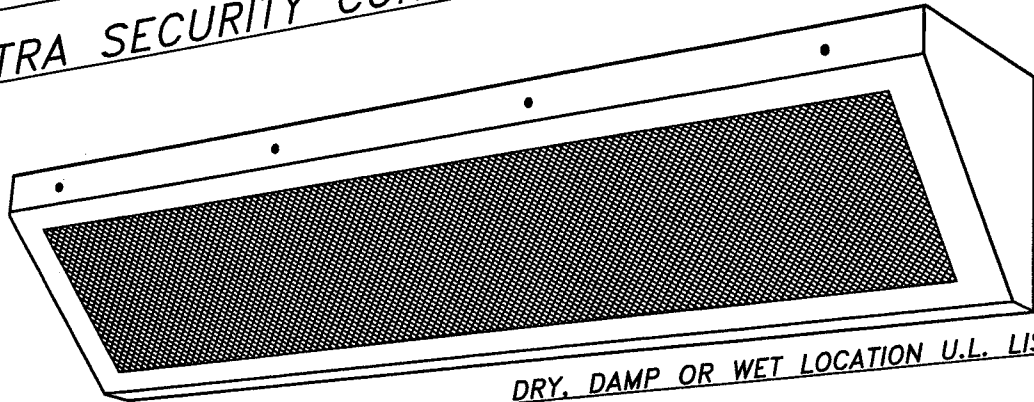
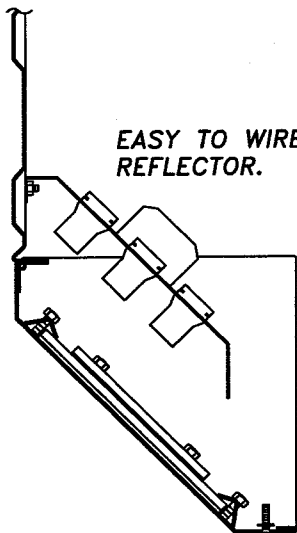


SECURITY / VANDAL RESISTANT

USX SERIES ULTRA SECURITY CORNER MOUNTED LUMINAIRE

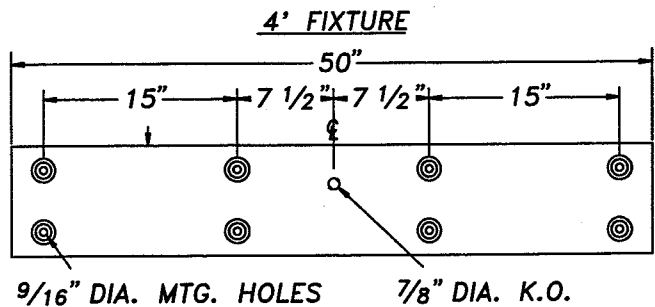
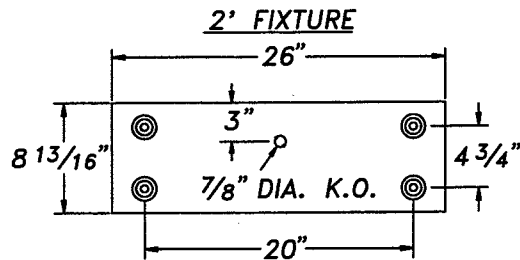
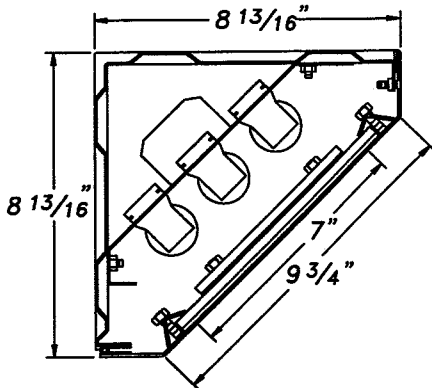


DRY, DAMP OR WET LOCATION U.L. LISTING



EASY TO WIRE REFLECTOR.

- ONE PIECE DIE FORMED DOOR.
- CONTRABAND TRAPPING BACKPLATE.
- CONTINUOUSLY WELDED SEAMS, GROUND SMOOTH.
- ADJUSTABLE HEAVY GAUGE LENS RETAINERS.
- RECESSED STAINLESS STEEL TAMPERPROOF FASTENERS.
- REFLECTOR MOUNTED ELECTRICAL COMPONENTS.



THE L.C. DOANE COMPANY DESIGNERS AND MANUFACTURERS OF SPECIALIZED LIGHTING EQUIPMENT
P.O. Box 975 • Essex, CT 06426 • (860) 767-8295 • Fax (860) 767-1397 • Web Site: www.lcdoane.com

SECURITY / VANDAL RESISTANT

EXAMPLE: USX323-XCW-120EL-53/30-APWKD

USX			-			-			-			
CHART	1	2	3	4	5	6	7	8	9	10	11	12

CHART #1 LAMPS	
17	17W RS 2' T8
20	20W PH 2' T12
32	32W RS 4' T8
40	40W RS 4' T12
4B	40W RS 2' T5 BIAXIAL

CHART #2 LAMP QTY.		
1	2	3

LAMPS NOT INCLUDED

CHART #3 DOOR GAGE	
N	18 Ga. MINIMUM SECURITY
D	16 Ga. MEDIUM SECURITY
X	14 Ga. MAXIMUM SECURITY

CHART #4 DOOR SPEC.	
C	COLD ROLLED STEEL
S	STAINLESS STEEL

CHART #5 FINISH	
W	WHITE
R	BRUSHED, STAINLESS ONLY

-	-	-
OPTIONS		

CHART #6 VOLTAGE (60 Hz.)		
120	277	347

CHART #7 BALLAST	
EL	ELECTRONIC
ES	ENERGY SAVING
DM	DIMMING
LT	LOW TEMPERATURE

CHART #8 INTERNAL LENS	
53	.125 ACRYLIC K12 PRISM. (STD)
15	.156 POLYCARB. K12 PRISM.
16	.187 POLYCARB. K12 PRISM.
75	.156 TEMPERED GLASS PRISM.
01	.005 UV ABSORBING OVERLAY

CHART #9 EXTERNAL LENS	
30	.187 POLYCARBONATE (STD)
32	.250 POLYCARBONATE
36	.375 POLYCARBONATE
90	.187 TEMPERED GLASS
92	.250 TEMPERED GLASS

CHART #10 DOOR FASTENERS	
AP	ALLEN HEAD W/PIN, STAINLESS STEEL
TP	TORX HEAD W/PIN, STAINLESS STEEL
PH	PHILLIPS HEAD, NON-SECURITY

CHART #12 U.L. LISTING	
D	DAMP & DRY LOCATION
W	WET LOCATION

CHART #11 ELECTRICAL ACCESS	
K	.875 DIA. KNOCK OUT(S) (STD)
A	2.250 DIA. ACCESS HOLE(S)

OPTIONS	
NL	NIGHT LIGHT, FOR 7 OR 9W PL BI-PIN (NOT INCL.)
E1	ONE LAMP EMERGENCY SERVICE
E2	TWO LAMP EMERGENCY SERVICE
FH	FUSE AND HOLDER
PS	SECURITY PUSH ON/OFF SWITCH

DIMENSIONS AND SPECIFICATIONS SUBJECT TO CHANGE WITHOUT NOTIFICATION.

MODIFICATIONS ARE AVAILABLE TO SUIT CUSTOM REQUIREMENTS.



THE L.C. DOANE COMPANY DESIGNERS AND MANUFACTURERS OF SPECIALIZED LIGHTING EQUIPMENT
 P.O. Box 975 • Essex, CT 06426 • (860) 767-8295 • Fax (860) 767-1397 • Web Site: www.lcdoane.com