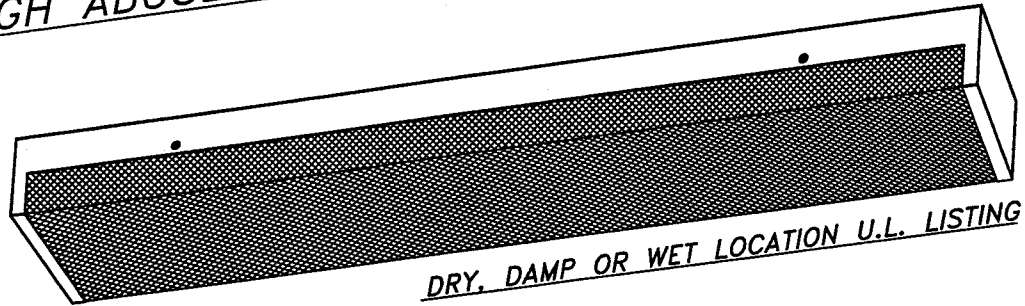
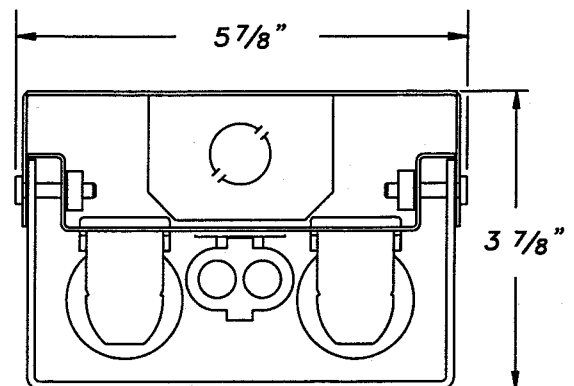
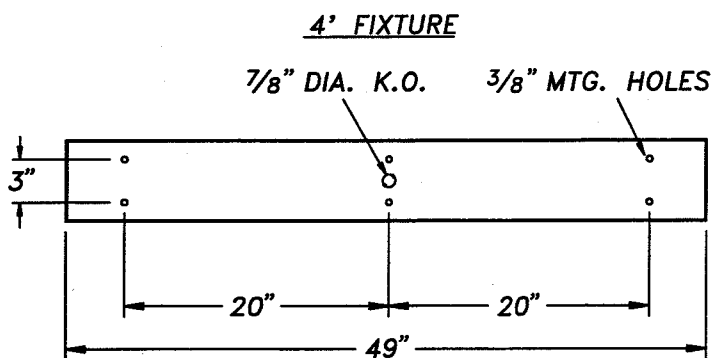


SECURITY / VANDAL RESISTANT

SW6 SERIES HIGH ABUSE SURFACE MOUNTED LUMINAIRE



- ONE PIECE DIE FORMED HOUSING.
- CONTINUOUSLY WELDED SEAMS, GROUND SMOOTH.
- ONE PIECE IMPACT RESISTANT PRISMATIC POLYCARBONATE LENS.
- 4 STAINLESS STEEL, TAMPERPROOF LENS RETAINING SCREWS.
- KNOCKOUTS ON BOTH ENDS PERMIT CONTINUOUS FIXTURE MOUNTING.
- CONVENIENT, REMOVABLE WIRE ACCESS PLATE.



THE L.C. DOANE COMPANY DESIGNERS AND MANUFACTURERS OF SPECIALIZED LIGHTING EQUIPMENT
P.O. Box 975 • Essex, CT 06426 • (860) 767-8295 • Fax (860) 767-1397 • Web Site: www.lcdoane.com

SECURITY / VANDAL RESISTANT

EXAMPLE: SW6-322-XCW-120EL-APD

SW6	-			-				-				-				-					
CHART		1	2	3	4	5	6	7	8	9	OPTIONS										

CHART #1 LAMPS	
17	17W RS 2' T8
20	20W PH 2' T12
32	32W RS 4' T8
40	40W RS 4' T12
4B	40W RS 2' T5 BIAXIAL

CHART #2 LAMP QTY.	
<input type="text" value="1"/>	<input type="text" value="2"/>

LAMPS NOT INCLUDED

CHART #3 MATERIAL GAUGE	
N	18 Ga. MINIMUM SECURITY
D	16 Ga. MEDIUM SECURITY
X	14 Ga. MAXIMUM SECURITY

CHART #4 MATERIAL SPEC.	
C	COLD ROLLED STEEL (STD.)
S	STAINLESS STEEL
A	ALUMINUM

CHART #5 FINISH	
W	WHITE
R	BRUSHED, STAINLESS ONLY

CHART #6 VOLTAGE (60 Hz.)	
<input type="text" value="120"/>	<input type="text" value="277"/>

CHART #7 BALLAST	
EL	ELECTRONIC
ES	ENERGY SAVING
DM	DIMMING
LT	LOW TEMPERATURE

CHART #8 FASTENERS	
AP	ALLEN HEAD W/PIN, STAINLESS STEEL
TP	TORX HEAD W/PIN, STAINLESS STEEL
PH	PHILLIPS HEAD, NON-SECURITY

CHART #9 U.L. LISTING	
D	DAMP & DRY LOCATION
W	WET LOCATION

OPTIONS	
NL	NIGHT LIGHT, FOR 7 OR 9W PL BI-PIN
E1	ONE LAMP EMERGENCY SERVICE
E2	TWO LAMP EMERGENCY SERVICE
FH	FUSE AND HOLDER

DIMENSIONS AND SPECIFICATIONS SUBJECT TO CHANGE WITHOUT NOTIFICATION.

MODIFICATIONS ARE AVAILABLE TO SUIT CUSTOM REQUIREMENTS.



THE L.C. DOANE COMPANY DESIGNERS AND MANUFACTURERS OF SPECIALIZED LIGHTING EQUIPMENT
P.O. Box 975 • Essex, CT 06426 • (860) 767-8295 • Fax (860) 767-1397 • Web Site: www.lcdoane.com