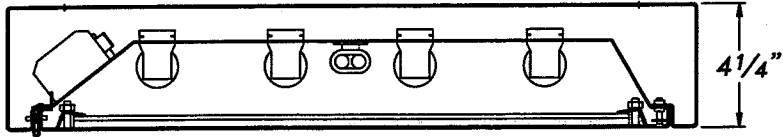
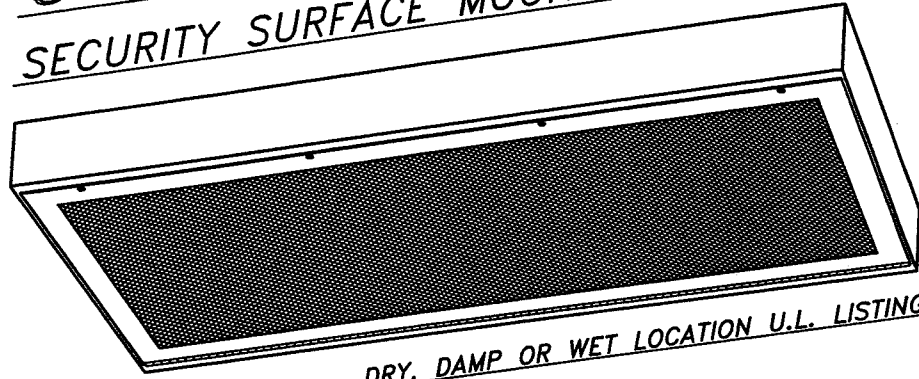
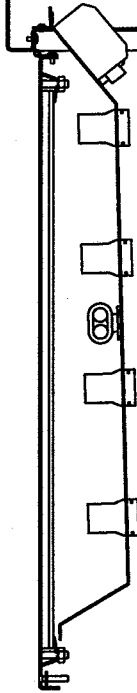


SECURITY / VANDAL RESISTANT

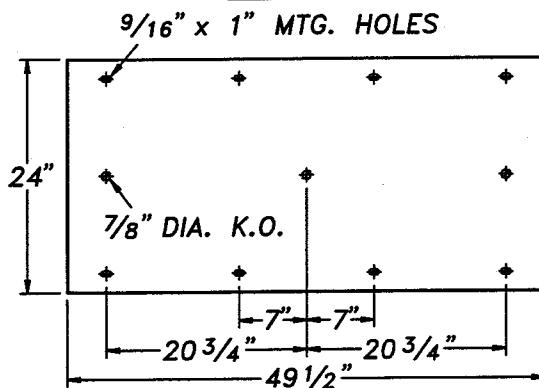
SS SERIES SECURITY SURFACE MOUNTED LUMINAIRE



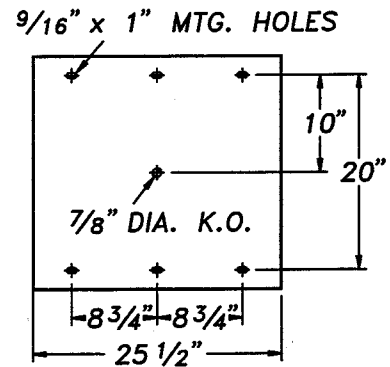
- ONE PIECE DIE FORMED HOUSING AND DOOR.
- CONTINUOUSLY WELDED SEAMS, GROUND SMOOTH.
- ADJUSTABLE HEAVY GAUGE LENS RETAINERS.
- RECESSED STAINLESS STEEL TAMPERPROOF FASTENERS.
- LOW PROFILE, LARGE WINDOW DESIGN.
- REFLECTOR MOUNTED ELECTRICAL COMPONENTS.



4' FIXTURE



2' FIXTURE



THE L.C. DOANE COMPANY DESIGNERS AND MANUFACTURERS OF SPECIALIZED LIGHTING EQUIPMENT
P.O. Box 975 • Essex, CT 06426 • (860) 767-8295 • Fax (860) 767-1397 • Web Site: www.lcdoane.com

SECURITY / VANDAL RESISTANT

EXAMPLE: SS323-XCW-120EL-53/30-APKD

SS													
CHART	1	2	3	4	5	6	7	8	9	10	11	12	OPTION

CHART #1 LAMPS	
17	17W RS 2' T8
20	20W PH 2' T12
3U	32W RS 2' T8 U-6"
32	32W RS 4' T8
40	40W RS 4' T12
4U	40W RS 2' T12 U-6"
4B	40W RS 2' T5 BIAXIAL
60	60W HO 4' T12 *

* 2 & 3 LAMP QTY. ONLY

CHART #2 LAMP QTY.			
1	2	3	4

LAMPS NOT INCLUDED

CHART #3 MATERIAL GAGE	
N	18 Ga. MINIMUM SECURITY
D	16 Ga. MEDIUM SECURITY
X	14 Ga. MAXIMUM SECURITY
U	12 Ga. ULTRA MAX. SECURITY

CHART #4 MATERIAL SPEC.	
C	COLD ROLLED STEEL
S	STAINLESS STEEL

CHART #5 FINISH	
W	WHITE
R	BRUSHED, STAINLESS ONLY

ADDITIONAL OPTIONS		

CHART #6 VOLTAGE (60 Hz.)		
120	277	347

CHART #7 BALLAST	
EL	ELECTRONIC
ES	ENERGY SAVING
DM	DIMMING
LT	LOW TEMPERATURE

CHART #8 INTERNAL LENS	
53	.125 ACRYLIC K12 PRISM. (STD)
15	.156 POLYCARB. K12 PRISM.
16	.187 POLYCARB. K12 PRISM.
75	.156 TEMPERED GLASS PRISM.
01	.005 UV ABSORBING OVERLAY

CHART #9 EXTERNAL LENS	
30	.187 POLYCARBONATE (STD)
32	.250 POLYCARBONATE
36	.375 POLYCARBONATE
90	.187 TEMPERED GLASS
92	.250 TEMPERED GLASS

CHART #10 DOOR FASTENERS	
AP	ALLEN HEAD W/PIN, STAINLESS STEEL
TP	TORX HEAD W/PIN, STAINLESS STEEL
PH	PHILLIPS HEAD, NON-SECURITY

CHART #11 ELECTRICAL ACCESS	
K	.875 DIA. KNOCK OUT(S) (STD)
A	2.250 DIA. ACCESS HOLE(S)

CHART #12 U.L. LISTING	
D	DAMP & DRY LOCATION
W	WET LOCATION

OPTIONS	
NL	NIGHT LIGHT, FOR 7 OR 9W PL BI-PIN (NOT INCL.)
E1	ONE LAMP EMERGENCY SERVICE
E2	TWO LAMP EMERGENCY SERVICE
FH	FUSE AND HOLDER
PS	SECURITY PUSH ON/OFF SWITCH
SP	SPEAKER COMPARTMENT

DIMENSIONS AND SPECIFICATIONS SUBJECT TO CHANGE WITHOUT NOTIFICATION.

MODIFICATIONS ARE AVAILABLE TO SUIT CUSTOM REQUIREMENTS.



THE L.C. DOANE COMPANY DESIGNERS AND MANUFACTURERS OF SPECIALIZED LIGHTING EQUIPMENT
 P.O. Box 975 • Essex, CT 06426 • (860) 767-8295 • Fax (860) 767-1397 • Web Site: www.lcdoane.com