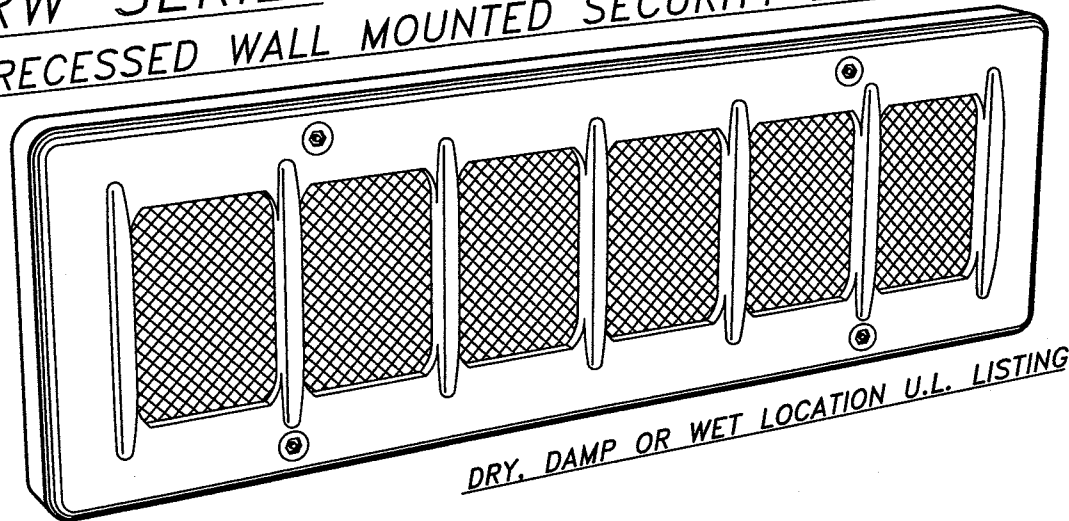
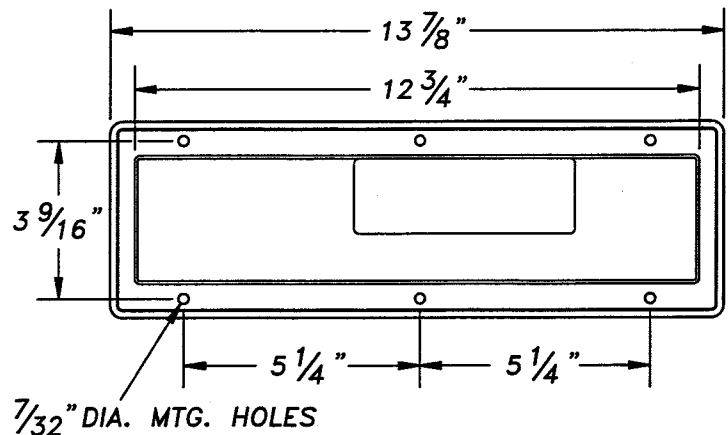
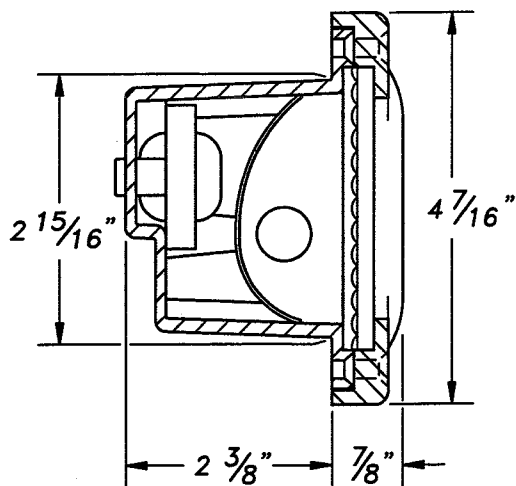


# SECURITY / VANDAL RESISTANT

## SRW SERIES RECESSED WALL MOUNTED SECURITY LUMINAIRE



- SHOCK AND VIBRATION RESISTANT DETAIL LIGHTING.
- CAST ALUMINUM HOUSING AND DOOR.
- 8 WATT MINIATURE BI-PIN 12" FLUORESCENT LAMP INCLUDED.
- LENSES ARE CAPTIVATED BETWEEN HOUSING AND DOOR.
- 4 RECESSED STAINLESS STEEL TAMPERPROOF RETAINING SCREWS.
- SUPPLIED WITH MOUNTING BRACKET AND HARDWARE.



**THE L.C. DOANE COMPANY** DESIGNERS AND MANUFACTURERS OF SPECIALIZED LIGHTING EQUIPMENT  
P.O. Box 975 • Essex, CT 06426 • (860) 767-8295 • Fax (860) 767-1397 • Web Site: [www.lcdoane.com](http://www.lcdoane.com)

# SECURITY / VANDAL RESISTANT

EXAMPLE: SRWW-120-53/32-TPD

SRW		-		-	/	-		-	
CHART	1		2		3		4		5
									OPTION

CHART 1		<b>DOOR FINISH</b>	
W	WHITE (STANDARD)		
R	BRUSHED (MATTE FINISH)		
H	POLISHED		

CHART 2		<b>VOLTAGE (60 Hz.)</b>	
	120		277

CHART 3		<b>LENSES</b>	
53/32	.125 PRISM. ACRYLIC & .250 POLYCARBONATE		
53/00	.125 PRISM. ACRYLIC WITH NEOPRENE GASKET		

CHART 4		<b>FASTENERS</b>	
AP	ALLEN HEAD W/PIN, STAINLESS STEEL		
TP	TORX HEAD W/PIN, STAINLESS STEEL		
PH	PHILLIPS HEAD, NON-SECURITY		

CHART 5		<b>U.L. LISTING</b>	
D	DAMP & DRY LOCATION		
W	WET LOCATION		

<b>OPTIONS</b>	
FH	FUSE AND HOLDER

DIMENSIONS AND SPECIFICATIONS SUBJECT TO CHANGE WITHOUT NOTIFICATION.

MODIFICATIONS ARE AVAILABLE TO SUIT CUSTOM REQUIREMENTS.



**THE L.C. DOANE COMPANY** DESIGNERS AND MANUFACTURERS OF SPECIALIZED LIGHTING EQUIPMENT  
 P.O. Box 975 • Essex, CT 06426 • (860) 767-8295 • Fax (860) 767-1397 • Web Site: [www.lcdoane.com](http://www.lcdoane.com)