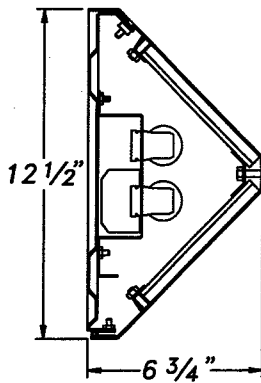
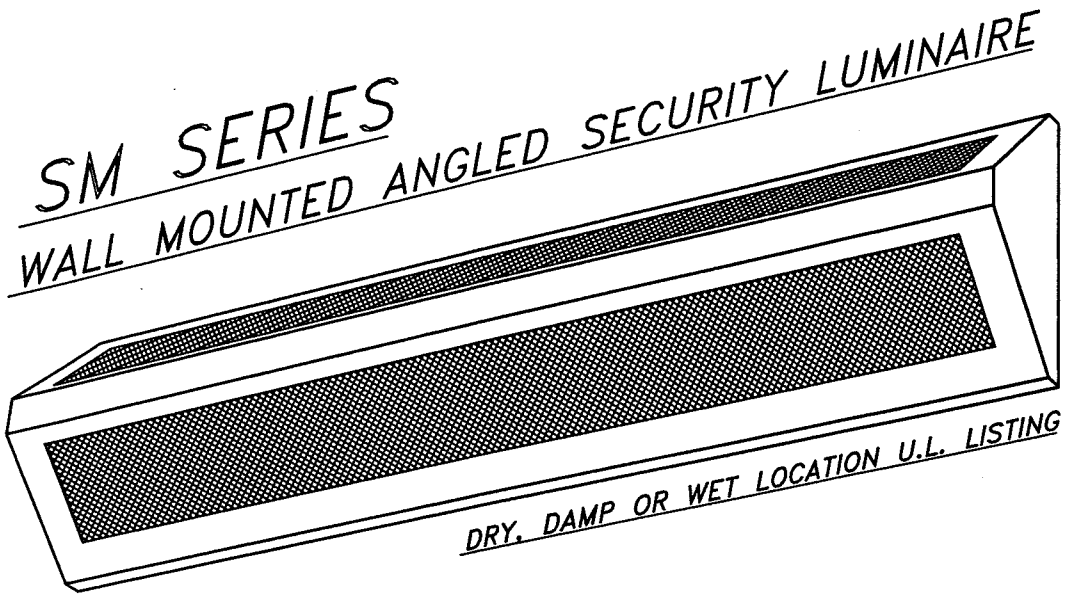
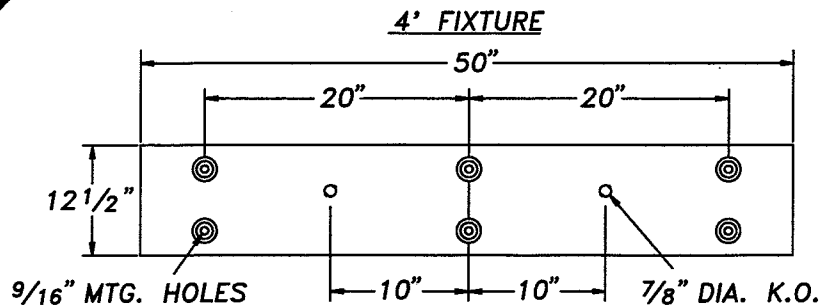
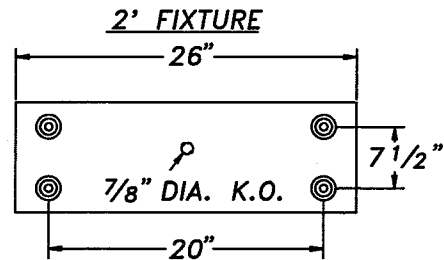
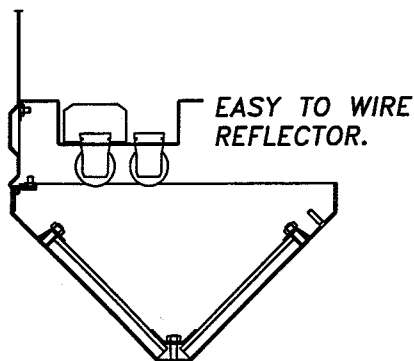


SECURITY / VANDAL RESISTANT



- ONE PIECE DIE FORMED DOOR.
- CONTRABAND TRAPPING BACKPLATE.
- CONTINUOUSLY WELDED SEAMS, GROUND SMOOTH.
- ADJUSTABLE HEAVY GAUGE LENS RETAINERS.
- RECESSED STAINLESS STEEL TAMPERPROOF FASTENERS.
- REFLECTOR MOUNTED ELECTRICAL COMPONENTS.



THE L.C. DOANE COMPANY DESIGNERS AND MANUFACTURERS OF SPECIALIZED LIGHTING EQUIPMENT
 P.O. Box 975 • Essex, CT 06426 • (860) 767-8295 • Fax (860) 767-1397 • Web Site: www.lcdoane.com

SECURITY / VANDAL RESISTANT

EXAMPLE: SM322-XCW-120EL-53/30-APKD

SM														
CHART	1	2	3	4	5	6	7	8	9	10	11	12	OPTION	

CHART #1 LAMPS	
17	17W RS 2' T8
20	20W PH 2' T12
32	32W RS 4' T8
40	40W RS 4' T12
4B	40W RS 2' T5 BIAXIAL

CHART #3 DOOR GAGE	
N	18 Ga. MINIMUM SECURITY
D	16 Ga. MEDIUM SECURITY
X	14 Ga. MAXIMUM SECURITY

ADDITIONAL OPTIONS				

CHART #6 VOLTAGE (60 Hz.)		
120	277	347

CHART #2 LAMP QTY.	
1	2

LAMPS NOT INCLUDED

CHART #4 DOOR SPEC.	
C	COLD ROLLED STEEL
S	STAINLESS STEEL

CHART #7 BALLAST	
EL	ELECTRONIC
ES	ENERGY SAVING
DM	DIMMING
LT	LOW TEMPERATURE

CHART #5 FINISH	
W	WHITE
R	BRUSHED, STAINLESS ONLY

CHART #8 INTERNAL LENS	
53	.125 ACRYLIC K12 PRISM. (STD)
15	.156 POLYCARB. K12 PRISM.
16	.187 POLYCARB. K12 PRISM.
75	.156 TEMPERED GLASS PRISM.
01	.005 UV ABSORBING OVERLAY

CHART #9 EXTERNAL LENS	
30	.187 POLYCARBONATE (STD)
32	.250 POLYCARBONATE
36	.375 POLYCARBONATE
90	.187 TEMPERED GLASS
92	.250 TEMPERED GLASS

CHART #10 DOOR FASTENERS	
AP	ALLEN HEAD W/PIN, STAINLESS STEEL
TP	TORX HEAD W/PIN, STAINLESS STEEL
PH	PHILLIPS HEAD, NON-SECURITY

OPTIONS	
NL	NIGHT LIGHT, FOR 7 OR 9W PL BI-PIN (NOT INCL.)
E1	ONE LAMP EMERGENCY SERVICE
E2	TWO LAMP EMERGENCY SERVICE
FH	FUSE AND HOLDER
PS	SECURITY PUSH ON/OFF SWITCH

CHART #11 ELECTRICAL ACCESS	
K	.875 DIA. KNOCK OUT(S) (STD)
A	2.250 DIA. ACCESS HOLE(S)

CHART #12 U.L. LISTING	
D	DAMP & DRY LOCATION
W	WET LOCATION

DIMENSIONS AND SPECIFICATIONS SUBJECT TO CHANGE WITHOUT NOTIFICATION.

MODIFICATIONS ARE AVAILABLE TO SUIT CUSTOM REQUIREMENTS.