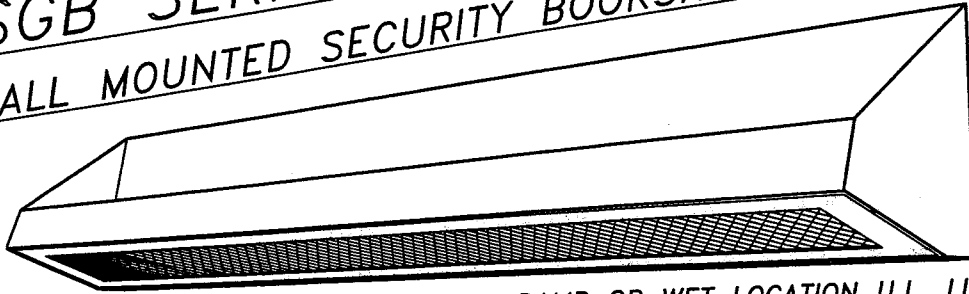
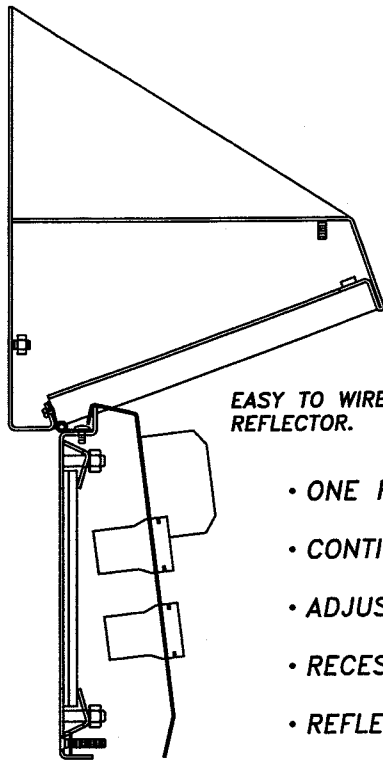


SECURITY / VANDAL RESISTANT

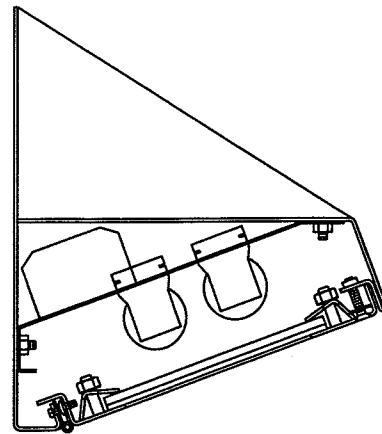
SGB SERIES WALL MOUNTED SECURITY BOOKSHELF LUMINAIRE



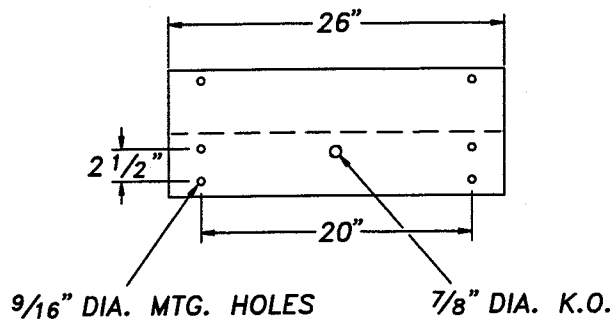
DRY, DAMP OR WET LOCATION U.L. LISTING



EASY TO WIRE
REFLECTOR.



- ONE PIECE DIE FORMED HOUSING AND DOOR.
- CONTINUOUSLY WELDED SEAMS, GROUND SMOOTH.
- ADJUSTABLE HEAVY GAUGE LENS RETAINERS.
- RECESSED STAINLESS STEEL TAMPERPROOF FASTENERS.
- REFLECTOR MOUNTED ELECTRICAL COMPONENTS.



THE L.C. DOANE COMPANY DESIGNERS AND MANUFACTURERS OF SPECIALIZED LIGHTING EQUIPMENT
P.O. Box 975 • Essex, CT 06426 • (860) 767-8295 • Fax (860) 767-1397 • Web Site: www.lcdoane.com

SECURITY / VANDAL RESISTANT

EXAMPLE: SGB172-XCW-120EL-53/30-APD

| | | | | | | | | | | | | | |
|------------|---|---|---|---|---|---|---|---|---|----|----|--------|--|
| SGB | | | - | | | | - | | / | | - | | |
| CHART | 1 | 2 | 3 | 4 | 5 | 6 | 7 | 8 | 9 | 10 | 11 | OPTION | |

| | |
|----------------------|----------------------|
| CHART 1 LAMPS | |
| 17 | 17W RS 2' T8 |
| 20 | 20W PH 2' T12 |
| 4B | 40W RS 2' T5 BIAXIAL |
| | |

| | |
|------------------------------|-------------------------------|
| CHART 8 INTERNAL LENS | |
| 53 | .125 ACRYLIC K12 PRISM. (STD) |
| 15 | .156 POLYCARB. K12 PRISM. |
| 16 | .187 POLYCARB. K12 PRISM. |
| 75 | .156 TEMPERED GLASS PRISM. |
| 01 | .005 UV ABSORBING OVERLAY |
| | |

| | |
|--------------------------|----------|
| CHART 2 LAMP QTY. | |
| 1 | 2 |
| LAMPS NOT INCLUDED | |

| | |
|------------------------------|--------------------------|
| CHART 9 EXTERNAL LENS | |
| 30 | .187 POLYCARBONATE (STD) |
| 32 | .250 POLYCARBONATE |
| 36 | .375 POLYCARBONATE |
| 90 | .187 TEMPERED GLASS |
| 92 | .250 TEMPERED GLASS |
| | |

| | |
|-------------------------------|-------------------------|
| CHART 3 MATERIAL GAUGE | |
| N | 18 Ga. MINIMUM SECURITY |
| D | 16 Ga. MEDIUM SECURITY |
| X | 14 Ga. MAXIMUM SECURITY |
| | |

| | |
|-------------------------------|-------------------|
| CHART 4 MATERIAL SPEC. | |
| C | COLD ROLLED STEEL |
| S | STAINLESS STEEL |
| | |

| | |
|--------------------------------|-----------------------------------|
| CHART 10 DOOR FASTENERS | |
| AP | ALLEN HEAD W/PIN, STAINLESS STEEL |
| TP | TORX HEAD W/PIN, STAINLESS STEEL |
| PH | PHILLIPS HEAD, NON-SECURITY |
| | |

| | |
|-----------------------|-------------------------|
| CHART 5 FINISH | |
| W | WHITE |
| R | BRUSHED, STAINLESS ONLY |
| | |

| | |
|------------------------------|---------------------|
| CHART 11 U.L. LISTING | |
| D | DAMP & DRY LOCATION |
| W | WET LOCATION |
| | |

| | | |
|---------------------------------|------------|------------|
| CHART 6 VOLTAGE (60 Hz.) | | |
| 120 | 277 | 347 |

| | |
|----------------|--|
| OPTIONS | |
| NL | NIGHT LIGHT, FOR 7 OR 9W PL BI-PIN (NOT INCL.) |
| E1 | ONE LAMP EMERGENCY SERVICE |
| E2 | TWO LAMP EMERGENCY SERVICE |
| FH | FUSE AND HOLDER |
| PS | SECURITY PUSH ON/OFF SWITCH |
| | |

| | |
|------------------------|-----------------|
| CHART 7 BALLAST | |
| EL | ELECTRONIC |
| ES | ENERGY SAVING |
| DM | DIMMING |
| LT | LOW TEMPERATURE |
| | |
| | |

DIMENSIONS AND SPECIFICATIONS SUBJECT TO CHANGE WITHOUT NOTIFICATION.

MODIFICATIONS ARE AVAILABLE TO SUIT CUSTOM REQUIREMENTS.

