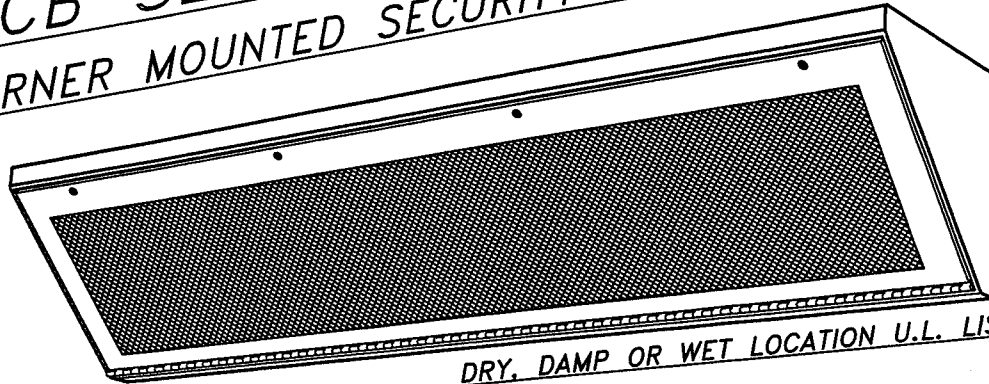
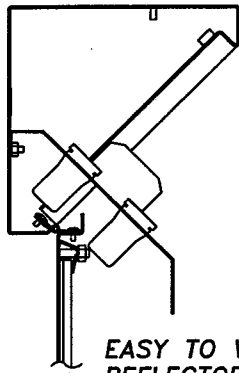


SECURITY / VANDAL RESISTANT

SCB SERIES CORNER MOUNTED SECURITY LUMINAIRE

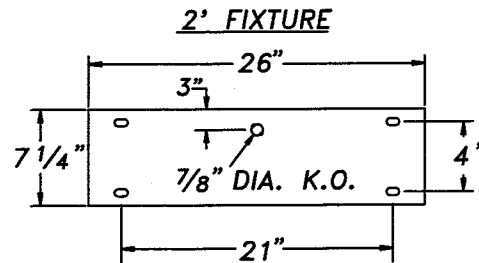
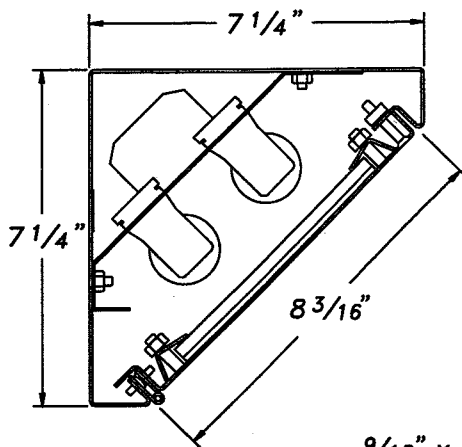


DRY, DAMP OR WET LOCATION U.L. LISTING

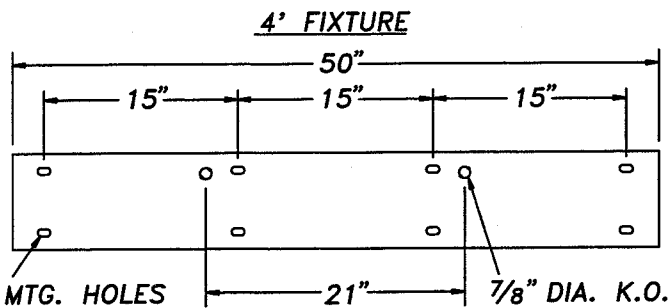


EASY TO WIRE
REFLECTOR.

- ONE PIECE DIE FORMED HOUSING AND DOOR.
- CONTINUOUSLY WELDED SEAMS, GROUND SMOOTH.
- ADJUSTABLE HEAVY GAUGE LENS RETAINERS.
- RECESSED STAINLESS STEEL TAMPERPROOF FASTENERS.
- REFLECTOR MOUNTED ELECTRICAL COMPONENTS.



2' FIXTURE



4' FIXTURE

WALL MOUNTING SHOWN



THE L.C. DOANE COMPANY DESIGNERS AND MANUFACTURERS OF SPECIALIZED LIGHTING EQUIPMENT
P.O. Box 975 • Essex, CT 06426 • (860) 767-8295 • Fax (860) 767-1397 • Web Site: www.lcdoane.com

SECURITY / VANDAL RESISTANT

EXAMPLE: SCB322-XCW-120EL-53/30-APWKD

| | | | | | | | | | | | | | |
|-------|---|---|---|---|---|---|---|---|---|----|----|----|----|
| SCB | | | | | | | | | | | | | |
| CHART | 1 | 2 | 3 | 4 | 5 | 6 | 7 | 8 | 9 | 10 | 11 | 12 | 13 |

| CHART #1 LAMPS | |
|----------------|----------------------|
| 17 | 17W RS 2' T8 |
| 20 | 20W PH 2' T12 |
| 32 | 32W RS 4' T8 |
| 40 | 40W RS 4' T12 |
| 4B | 40W RS 2' T5 BIAXIAL |
| | |

| CHART #3 MATERIAL GAGE | |
|------------------------|-------------------------|
| N | 18 Ga. MINIMUM SECURITY |
| D | 16 Ga. MEDIUM SECURITY |
| X | 14 Ga. MAXIMUM SECURITY |
| | |

| | | |
|---------|--|--|
| | | |
| OPTIONS | | |

| CHART #6 VOLTAGE (60 Hz.) | | |
|---------------------------|-----|-----|
| 120 | 277 | 347 |

| CHART #2 LAMP QTY. | |
|--------------------|---|
| 1 | 2 |

LAMPS NOT INCLUDED

| CHART #4 MATERIAL SPEC. | |
|-------------------------|-------------------|
| C | COLD ROLLED STEEL |
| S | STAINLESS STEEL |
| | |

| CHART #7 BALLAST | |
|------------------|-----------------|
| EL | ELECTRONIC |
| ES | ENERGY SAVING |
| DM | DIMMING |
| LT | LOW TEMPERATURE |
| | |

| CHART #5 FINISH | |
|-----------------|-------------------------|
| W | WHITE |
| R | BRUSHED, STAINLESS ONLY |
| | |

| CHART #8 INTERNAL LENS | |
|------------------------|-------------------------------|
| 53 | .125 ACRYLIC K12 PRISM. (STD) |
| 15 | .156 POLYCARB. K12 PRISM. |
| 16 | .187 POLYCARB. K12 PRISM. |
| 75 | .156 TEMPERED GLASS PRISM. |
| 01 | .005 UV ABSORBING OVERLAY |
| | |

| CHART #9 EXTERNAL LENS | |
|------------------------|--------------------------|
| 30 | .187 POLYCARBONATE (STD) |
| 32 | .250 POLYCARBONATE |
| 36 | .375 POLYCARBONATE |
| 90 | .187 TEMPERED GLASS |
| 92 | .250 TEMPERED GLASS |
| | |

| CHART #10 DOOR FASTENERS | |
|--------------------------|-----------------------------------|
| AP | ALLEN HEAD W/PIN, STAINLESS STEEL |
| TP | TORX HEAD W/PIN, STAINLESS STEEL |
| PH | PHILLIPS HEAD, NON-SECURITY |
| | |

| CHART #13 U.L. LISTING | |
|------------------------|---------------------|
| D | DAMP & DRY LOCATION |
| W | WET LOCATION |

| CHART #11 MOUNTING HOLES | |
|--------------------------|---------------------------------|
| W | WALL MOUNTING HOLES ONLY |
| D | CEILING AND WALL MOUNTING HOLES |
| | |

| OPTIONS | |
|---------|--|
| NL | NIGHT LIGHT, FOR 7 OR 9W PL BI-PIN (NOT INCL.) |
| E1 | ONE LAMP EMERGENCY SERVICE |
| E2 | TWO LAMP EMERGENCY SERVICE |
| FH | FUSE AND HOLDER |
| PS | SECURITY PUSH ON/OFF SWITCH |
| | |

| CHART #12 ELECTRICAL ACCESS | |
|-----------------------------|------------------------------|
| K | .875 DIA. KNOCK OUT(S) (STD) |
| A | 2.250 DIA. ACCESS HOLE(S) |
| | |

DIMENSIONS AND SPECIFICATIONS SUBJECT TO CHANGE WITHOUT NOTIFICATION.

MODIFICATIONS ARE AVAILABLE TO SUIT CUSTOM REQUIREMENTS.



THE L.C. DOANE COMPANY DESIGNERS AND MANUFACTURERS OF SPECIALIZED LIGHTING EQUIPMENT
 P.O. Box 975 • Essex, CT 06426 • (860) 767-8295 • Fax (860) 767-1397 • Web Site: www.lcdoane.com