

**intent**

The SCA series is designed for general purpose lighting in high abuse environments.

**mounting**

Surface mounts to corners.

**housing**

Made from sheet steel die formed to shape with seams welded and ground smooth.

**door**

Outfitted with adjustable heavy gauge lens retainers and a full length piano hinge with welded pin.

**finish**

Polyester powder coated after phosphate treatment for superior adhesion and corrosion resistance. Brushed stainless steel is also available.

**hardware**

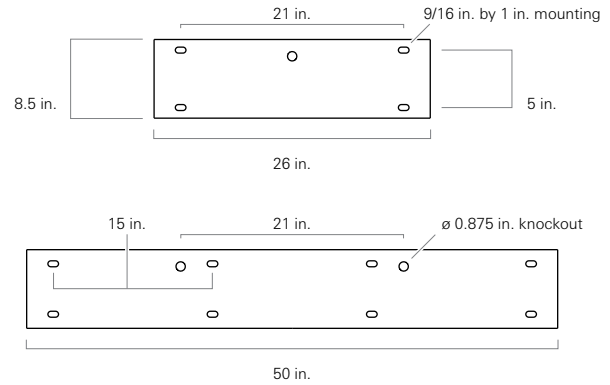
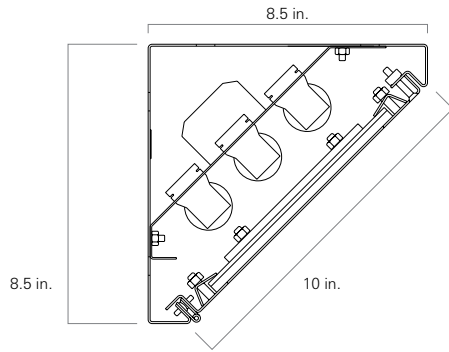
Recessed, stainless steel, tamper-proof screws provide luminaire access.

**wiring**

Reflector mounted electrical components for easy wiring and maintenance.

**certifications**

Available with dry, damp, or wet location UL listing.



- one lamps (not included)**
- 14 2 ft. 14 W T5
  - 17 2 ft. 17 W T8
  - 24 2 ft. 24 W T5 HO
  - 4B 2 ft. 40 W T5 biax
  - 28 4 ft. 28 W T5
  - 32 4 ft. 32 W T8
  - 54 4 ft. 54 W T5 HO

- two lamp quantity**
- 1 one
  - 2 two
  - 3 three

- three material gauge**
- N 18 gauge, minimum security
  - D 16 gauge, medium security
  - X 14 gauge, maximum security

- four material**
- C cold rolled steel
  - S stainless steel

- five finish**
- R brushed, stainless steel only
  - W white

- six voltage (60 Hz)**
- 120 120 V
  - 277 277 V
  - 347 347 V
  - VAR variable, 120-277 V

- seven ballast**
- DM dimming
  - EL electronic
  - HO high output
  - PR program start
  - RS rapid start

- eight internal lens**
- 53 0.125 in. acrylic K12 prismatic, standard
  - 15 0.156 in. polycarbonate K12 prismatic
  - 16 0.187 in. polycarbonate K12 prismatic
  - 75 0.156 in. tempered glass prismatic
  - 01 0.005 in. UV absorbing overlay

- nine external lens**
- 30 0.187 in. polycarbonate, standard
  - 32 0.250 in. polycarbonate
  - 36 0.375 in. polycarbonate
  - 90 0.187 in. tempered glass
  - 92 0.250 in. tempered glass

- ten door fasteners**
- AP stainless steel allen head with pin
  - TP stainless steel torx head with pin
  - PH phillips, non security

- eleven mounting holes**
- D ceiling and wall mounting holes
  - W wall mounting holes only



**twelve thirteen fourteen**

- twelve electrical access**
- A 2.250 in. diameter access hole
  - K 0.875 in. diameter knockout(s), standard

- thirteen UL listing**
- D dry and damp location
  - W wet location

- fourteen options**
- 2C two circuit wired
  - CU Canadian UL listing
  - E1 one lamp emergency service
  - E2 two lamp emergency service
  - FH fuse and holder
  - PS security push on/off switch