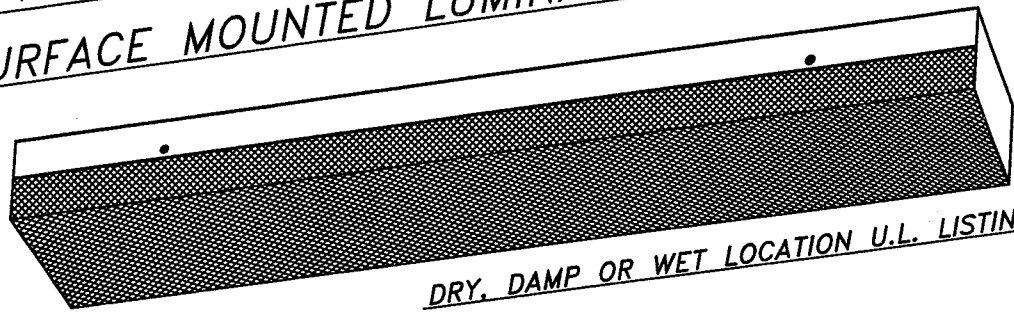


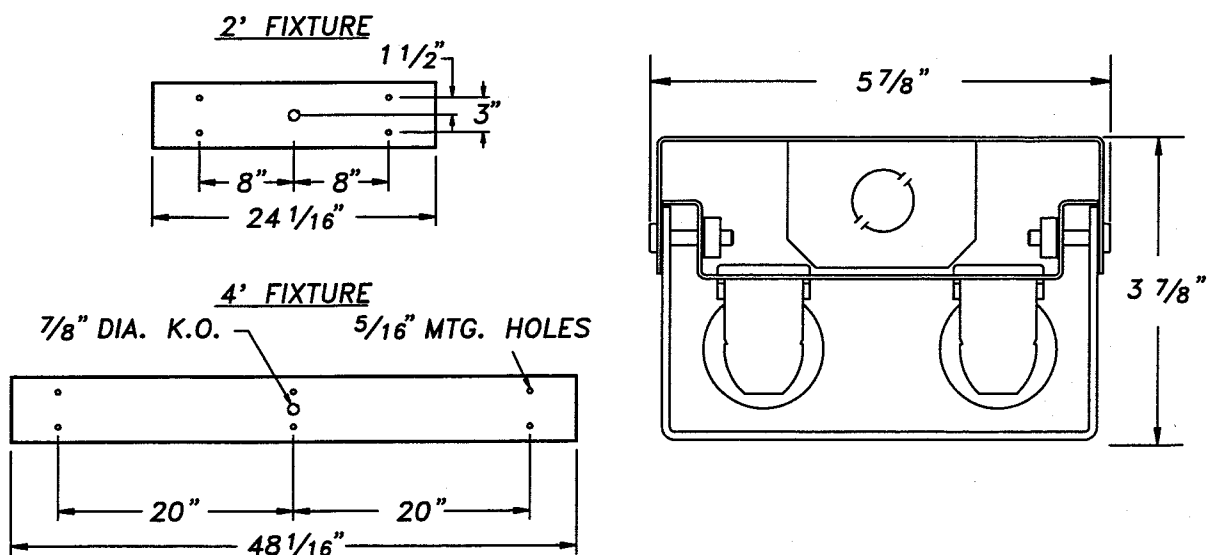
SECURITY / VANDAL RESISTANT

RW6 SERIES SURFACE MOUNTED LUMINAIRE



DRY, DAMP OR WET LOCATION U.L. LISTING

- ONE PIECE DIE FORMED HOUSING.
- CONTINUOUSLY WELDED SEAMS, GROUND SMOOTH.
- ONE PIECE IMPACT RESISTANT PRISMATIC POLYCARBONATE LENS.
- 4 STAINLESS STEEL, TAMPERPROOF LENS RETAINING SCREWS.
- KNOCKOUTS ON BOTH ENDS PERMIT CONTINUOUS FIXTURE MOUNTING.
- CONVENIENT, REMOVABLE WIRE ACCESS PLATE.



THE L.C. DOANE COMPANY DESIGNERS AND MANUFACTURERS OF SPECIALIZED LIGHTING EQUIPMENT
P.O. Box 975 • Essex, CT 06426 • (860) 767-8295 • Fax (860) 767-1397 • Web Site: www.icdoane.com

SECURITY / VANDAL RESISTANT

EXAMPLE: RW6-322-XCW-120EL-APD

RW6	-										
CHART		1	2	3	4	5	6	7	8	9	OPTIONS

CHART #1 LAMPS	
17	17W RS 2' T8
20	20W PH 2' T12
32	32W RS 4' T8
40	40W RS 4' T12
4B	40W RS 2' T5 BIAxIAL

CHART #2 LAMP QTY.	
1	2

LAMPS NOT INCLUDED

CHART #3 MATERIAL GAUGE	
N	18 Ga. MINIMUM SECURITY
D	16 Ga. MEDIUM SECURITY
X	14 Ga. MAXIMUM SECURITY

CHART #4 MATERIAL SPEC.	
C	COLD ROLLED STEEL (STD.)
S	STAINLESS STEEL
A	ALUMINUM

CHART #5 FINISH	
W	WHITE
R	BRUSHED, STAINLESS ONLY

CHART #6 VOLTAGE (60 Hz.)	
120	277

CHART #7 BALLAST	
EL	ELECTRONIC
ES	ENERGY SAVING
DM	DIMMING
LT	LOW TEMPERATURE

CHART #8 FASTENERS	
AP	ALLEN HEAD W/PIN, STAINLESS STEEL
TP	TORX HEAD W/PIN, STAINLESS STEEL
PH	PHILLIPS HEAD, NON-SECURITY

CHART #9 U.L. LISTING	
D	DAMP & DRY LOCATION
W	WET LOCATION

OPTIONS	
NL	NIGHT LIGHT, FOR 7 OR 9W PL BI-PIN
E1	ONE LAMP EMERGENCY SERVICE
E2	TWO LAMP EMERGENCY SERVICE
FH	FUSE AND HOLDER

DIMENSIONS AND SPECIFICATIONS SUBJECT TO CHANGE WITHOUT NOTIFICATION.

MODIFICATIONS ARE AVAILABLE TO SUIT CUSTOM REQUIREMENTS.

