

**intent**

The RW3 series is designed for general purpose lighting in high abuse environments.

mounting

Surface mounts to ceilings. Knockouts on both ends permit continuous fixture mounting.

lens

5/32 in. Vandal resistant, prismatic polycarbonate lens.

housing

Made from 18 gauge steel die formed to shape.

finish

Polyester powder coated after phosphate pretreatment for superior adhesion and corrosion resistance. Brushed stainless steel is also available.

hardware

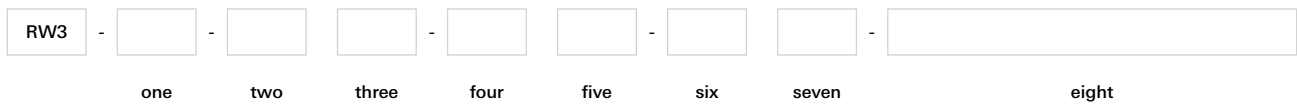
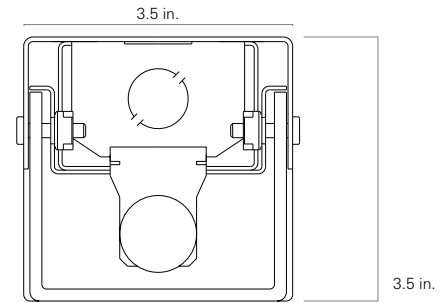
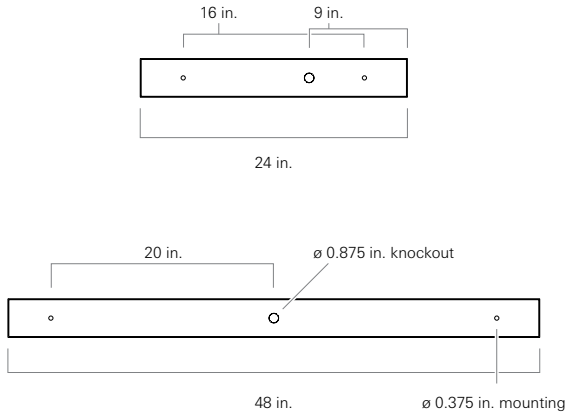
Stainless steel, tamper-proof screws provide luminaire access.

wiring

Wires accessible via removable access plate.

certifications

Available with dry, damp, or wet location UL listing.



one lamps (not included)

- 14 2 ft. 14 W T5
- 17 2 ft. 17 W T8
- 24 2 ft. 24 W T5 HO
- 4B 2 ft. 40 W T5 RS biax
- 28 4 ft. 28 W T5
- 32 4 ft. 32 W T8
- 54 4 ft. 54 W T5 HO

two voltage (60 Hz)

- 120 120 V
- 277 277 V
- 347 347 V
- VAR variable, 120-277 V

three ballast

- EL electronic
- HO high output
- PR program start
- RS rapid start

four material

- C cold rolled steel
- S stainless steel

five finish

- R brushed, stainless steel only
- W white

six fasteners

- AP stainless steel allen head with pin
- TP stainless steel torx head with pin
- PH phillips, non security

seven UL listing

- D dry and damp location
- W wet location

eight options

- CU Canadian UL listing
- E1 emergency ballast, only with 4 ft. lamps
- FH fuse and holder