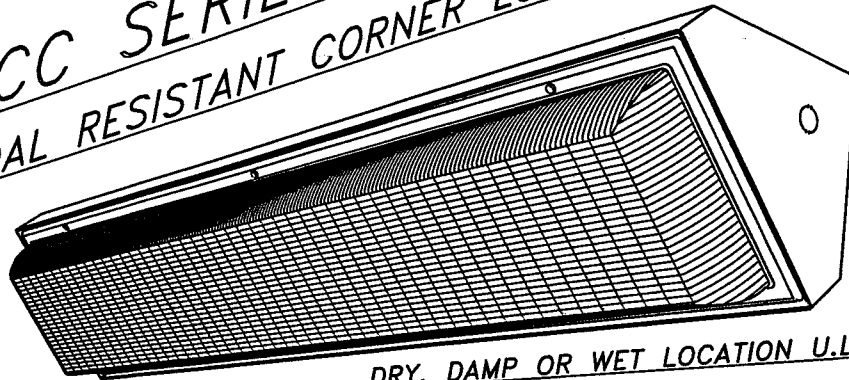


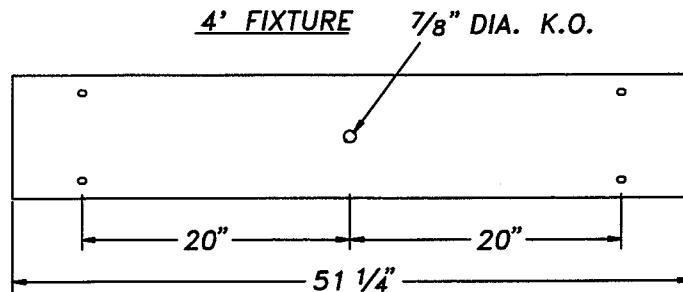
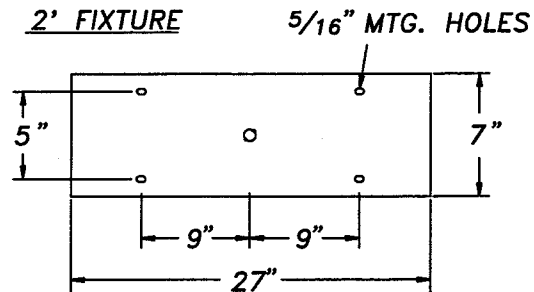
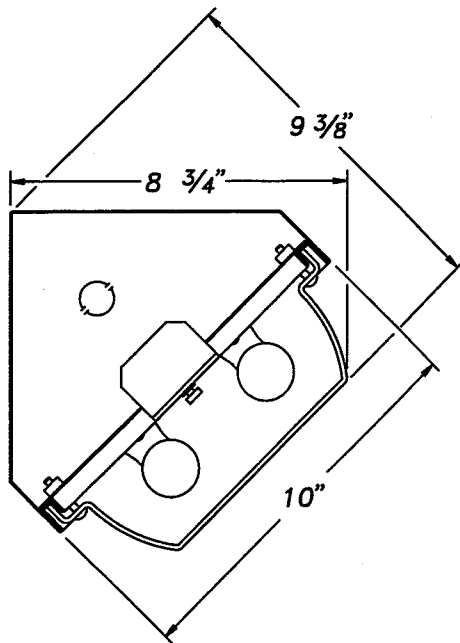
# SECURITY / VANDAL RESISTANT

*LPCC SERIES  
VANDAL RESISTANT CORNER LUMINAIRE*



*DRY, DAMP OR WET LOCATION U.L. LISTING*

- U.V. STABILIZED, CLEAR PRISMATIC POLYCARBONATE LENS.
- STAINLESS STEEL TAMPER RESISTANT RETAINING SCREWS.
- CONTINUOUSLY WELDED DIE FORMED SEAMLESS HOUSING.
- WIRING ACCESS PROVIDED FOR WALL AND SURFACE CONDUIT.
- WET LOCATION FIXTURES GASKETED WITH CLOSED CELL NEOPRENE.
- ONE PIECE REFLECTOR MOUNTED ELECTRICAL ASSEMBLY WITH QUICK DISCONNECT PLUG.



**THE L.C. DOANE COMPANY** DESIGNERS AND MANUFACTURERS OF SPECIALIZED LIGHTING EQUIPMENT  
P.O. Box 975 • Essex, CT 06426 • (860) 767-8295 • Fax (860) 767-1397 • Web Site: [www.lcdoane.com](http://www.lcdoane.com)

# SECURITY / VANDAL RESISTANT

EXAMPLE: LPCC323-120HP-APKDW

LPCC									
CHART	1	2	3	4	5	6	7	8	OPTIONS

CHART #1 LAMPS	
17	17W RS 2' T8
20	20W PH 2' T12
32	32W RS 4' T8
34	34W RS 4' T12
40	40W RS 4' T12
4B	40W RS 2' T5 BIAX
60	60W HO 4' T12

CHART #6 ELECTRICAL ACCESS	
K	.875 DIA. KNOCK OUT(S)
A	2.250 DIA. ACCESS HOLE

CHART #7 U.L. LISTING	
D	DAMP & DRY LOCATION
W	WET LOCATION

CHART #2 LAMP QTY.	
<input type="checkbox"/>	<input type="checkbox"/>
<input type="checkbox"/>	<input type="checkbox"/>
<input type="checkbox"/>	<input type="checkbox"/>
<input type="checkbox"/>	<input type="checkbox"/>

\*4 FT. FIXTURE W/BIAX LAMPS ONLY

CHART #8 FINISH	
W	WHITE
<input type="checkbox"/>	CUSTOM COLOR

CHART #3 VOLTAGE (60 Hz.)	
<input type="checkbox"/>	<input type="checkbox"/>
<input type="checkbox"/>	<input type="checkbox"/>
<input type="checkbox"/>	<input type="checkbox"/>

OPTIONS	
E1	ONE LAMP EMERGENCY SERVICE
FH	FUSE AND HOLDER
NL	NIGHT LIGHT, FOR 7 OR 9W PL BI-PIN
LL	LAMP LOCKS FOR T12 LAMPS
CU	CANADIAN U.L. LISTED

CHART #4 BALLAST	
HP	HIGH POWER FACTOR (STD.)
EL	ELECTRONIC
DM	DIMMING
LT	LOW TEMPERATURE
HO	HIGH OUTPUT

DIMENSIONS AND SPECIFICATIONS SUBJECT TO CHANGE WITHOUT NOTIFICATION.

CHART #5 LENS FASTENERS	
AP	ALLEN HEAD W/PIN, STAINLESS STEEL
TP	TORX HEAD W/PIN, STAINLESS STEEL
PH	PHILLIPS (NON SECURITY)

MODIFICATIONS ARE AVAILABLE TO SUIT CUSTOM REQUIREMENTS.

