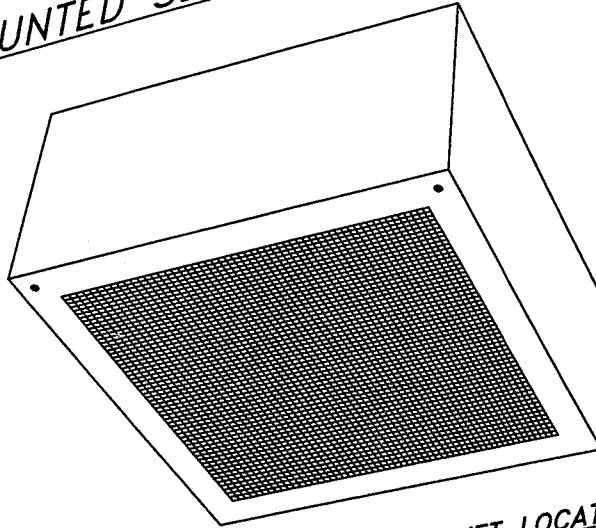
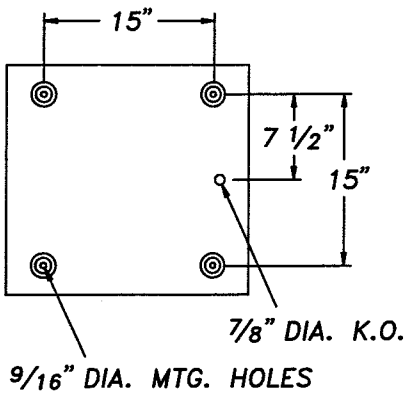


# SECURITY / VANDAL RESISTANT

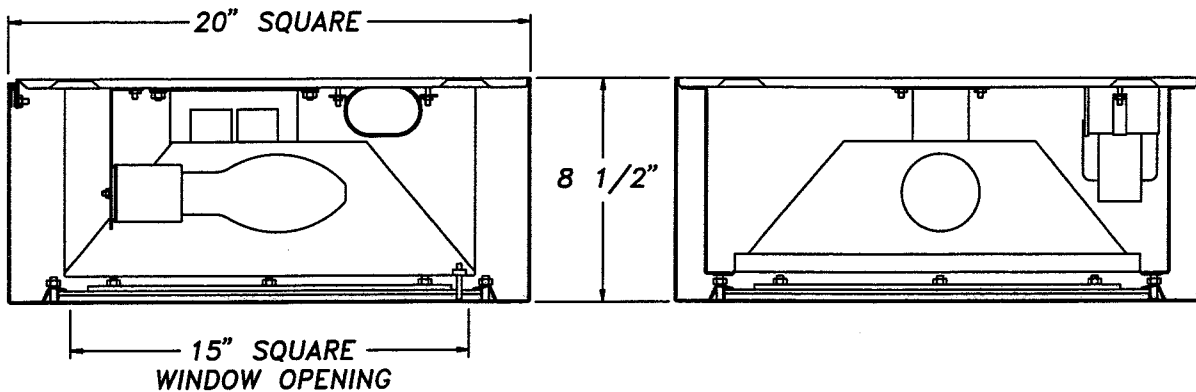
## HS SERIES SURFACE MOUNTED SECURITY HID LUMINAIRE



DRY, DAMP OR WET LOCATION U.L. LISTING



- HEAVY GAUGE DIE FORMED CLAMSHELL HOUSING.
- CONTINUOUSLY WELDED SEAMS, GROUND SMOOTH.
- 16 GAUGE PIANO HINGE WITH WELDED PIN.
- ADJUSTABLE HEAVY GAUGE LENS RETAINERS.
- RECESSED STAINLESS STEEL TAMPERPROOF FASTENERS.
- CONTRABAND TRAPPING BACKPLATE.



**THE L.C. DOANE COMPANY** DESIGNERS AND MANUFACTURERS OF SPECIALIZED LIGHTING EQUIPMENT  
P.O. Box 975 • Essex, CT 06426 • (860) 767-8295 • Fax (860) 767-1397 • Web Site: [www.lcdoane.com](http://www.lcdoane.com)

# SECURITY / VANDAL RESISTANT

EXAMPLE: HSM57-120-XCW-75/30-TPW

HS										
CHART	1	2	3	4	5	6	7	8	9	OPTIONS

**CHART 1 HID LAMPS**

S76	35W HIGH PRESSURE SODIUM
S68	50W HIGH PRESSURE SODIUM
S62	70W HIGH PRESSURE SODIUM
S54	100W HIGH PRESSURE SODIUM
S55	150W HIGH PRESSURE SODIUM
S66	200W HIGH PRESSURE SODIUM
S50	250W HIGH PRESSURE SODIUM
M98	70W METAL HALIDE
M90	100W METAL HALIDE
M57	175W METAL HALIDE
M58	250W METAL HALIDE

LAMPS NOT INCLUDED

**CHART 2 VOLTAGE (60 Hz.)**

120	208	240	277
-----	-----	-----	-----

**CHART 3 DOOR GAGE**

X	14 Ga. MAXIMUM SECURITY
D	16 Ga. MEDIUM SECURITY
N	18 Ga. MINIMUM SECURITY

**CHART 4 DOOR SPEC.**

C	COLD ROLLED STEEL
S	STAINLESS STEEL

**CHART 5 FINISH**

W	WHITE
R	BRUSHED, STAINLESS ONLY

**CHART 6 INTERNAL LENS**

75	.156 TEMPERED GLASS PRISM.
----	----------------------------

**CHART 7 EXTERNAL LENS**

30	.187 POLYCARBONATE
32	.250 POLYCARBONATE
36	.375 POLYCARBONATE
90	.187 TEMPERED GLASS
92	.250 TEMPERED GLASS
96	.375 TEMPERED GLASS

**CHART 8 FASTENERS**

AP	ALLEN HEAD W/PIN, STAINLESS STEEL
TP	TORX HEAD W/PIN, STAINLESS STEEL
PH	PHILLIPS (NON SECURITY)

**CHART 9 U.L. LISTING**

D	DAMP & DRY LOCATION
W	WET LOCATION

**OPTIONS**

FH	FUSE AND HOLDER
QR	QUARTZ RESTRIKE SYSTEM
HR	QUICK RESTRIKE (*)

(\*) FOR HPS UP TO 150W ONLY.

DIMENSIONS AND SPECIFICATIONS SUBJECT TO CHANGE WITHOUT NOTIFICATION.

MODIFICATIONS ARE AVAILABLE TO SUIT CUSTOM REQUIREMENTS.



**THE L.C. DOANE COMPANY** DESIGNERS AND MANUFACTURERS OF SPECIALIZED LIGHTING EQUIPMENT  
 P.O. Box 975 • Essex, CT 06426 • (860) 767-8295 • Fax (860) 767-1397 • Web Site: www.lcdoane.com