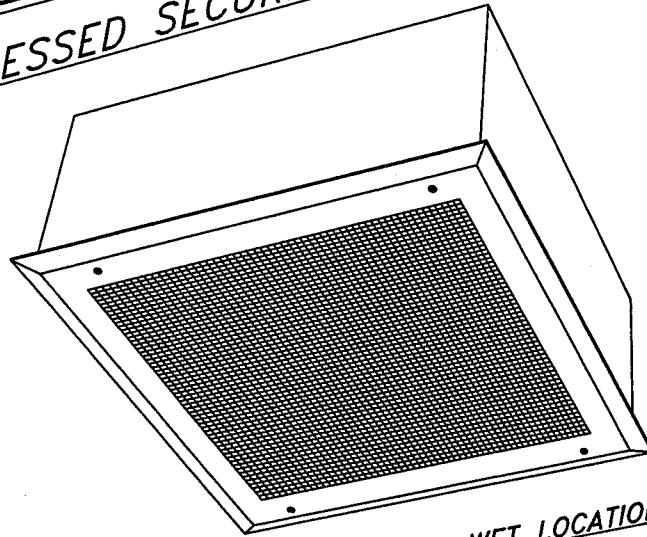
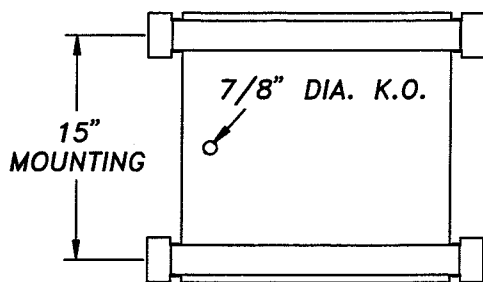


SECURITY / VANDAL RESISTANT

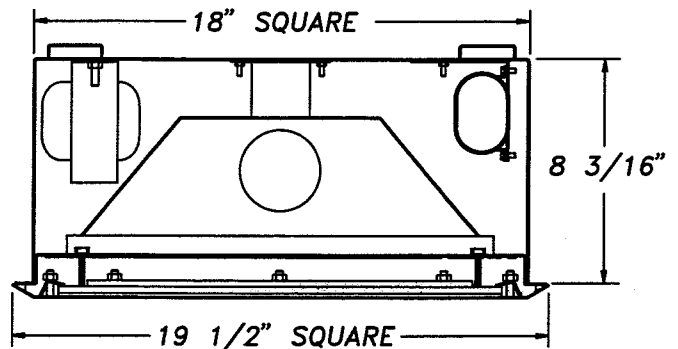
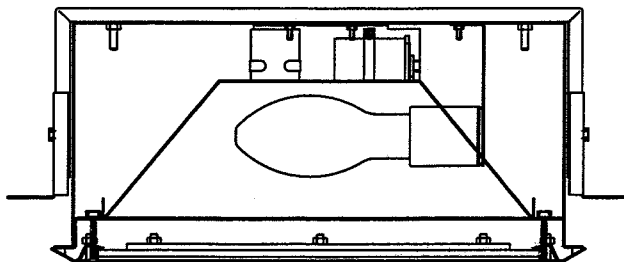
HR SERIES FLANGED RECESSED SECURITY LUMINAIRE



DRY, DAMP, OR WET LOCATION U.L. LISTING



- HEAVY GAUGE DIE FORMED HOUSING.
- CONTINUOUSLY WELDED SEAMLESS DOOR.
- ADJUSTABLE HEAVY GAUGE LENS RETAINERS.
- FULLY RECESSED TAMPERPROOF FASTENERS.
- UNIVERSAL MOUNTING BRACKET.



THE L.C. DOANE COMPANY DESIGNERS AND MANUFACTURERS OF SPECIALIZED LIGHTING EQUIPMENT
P.O. Box 975 • Essex, CT 06426 • (860) 767-8295 • Fax (860) 767-1397 • Web Site: www.lcdoane.com

SECURITY / VANDAL RESISTANT

EXAMPLE: HRM57-120-XCW-75/30-TPW

HR										
CHART	1	2	3	4	5	6	7	8	9	OPTIONS

CHART 1 HID LAMPS

S54	100W HIGH PRESSURE SODIUM
S55	150W HIGH PRESSURE SODIUM
S66	200W HIGH PRESSURE SODIUM
S50	250W HIGH PRESSURE SODIUM
M90	100W METAL HALIDE
M57	175W METAL HALIDE
M58	250W METAL HALIDE

LAMPS NOT INCLUDED

CHART 2 VOLTAGE (60 Hz.)

120	208	240	277
------------	------------	------------	------------

CHART 3 DOOR GAGE

X	14 Ga. MAXIMUM SECURITY
D	16 Ga. MEDIUM SECURITY
N	18 Ga. MINIMUM SECURITY

CHART 4 DOOR MATERIAL

C	COLD ROLLED STEEL
S	STAINLESS STEEL

CHART 5 DOOR FINISH

W	WHITE
R	BRUSHED, STAINLESS ONLY

CHART 6 INTERNAL LENS

75	.156 TEMPERED GLASS PRISM.

CHART 7 EXTERNAL LENS

30	.187 POLYCARBONATE
32	.250 POLYCARBONATE
36	.375 POLYCARBONATE
90	.187 TEMPERED GLASS
92	.250 TEMPERED GLASS
96	.375 TEMPERED GLASS

CHART 8 FASTENERS

AP	ALLEN HEAD W/PIN, STAINLESS STEEL
TP	TORX HEAD W/PIN, STAINLESS STEEL
PH	PHILLIPS (NON SECURITY)

CHART 9 U.L. LISTING

D	DAMP & DRY LOCATION
W	WET LOCATION

OPTIONS

FH	FUSE AND HOLDER
QR	QUARTZ RESTRIKE SYSTEM
HR	QUICK RESTRIKE (*)

(*) FOR HPS UP TO 150W ONLY.

DIMENSIONS AND SPECIFICATIONS SUBJECT TO CHANGE WITHOUT NOTIFICATION.

MODIFICATIONS ARE AVAILABLE TO SUIT CUSTOM REQUIREMENTS.



THE L.C. DOANE COMPANY DESIGNERS AND MANUFACTURERS OF SPECIALIZED LIGHTING EQUIPMENT
 P.O. Box 975 • Essex, CT 06426 • (860) 767-8295 • Fax (860) 767-1397 • Web Site: www.lcdoane.com