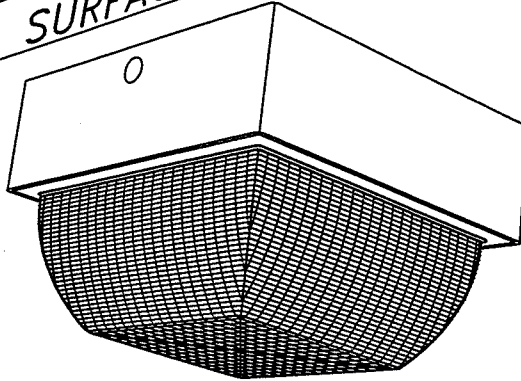


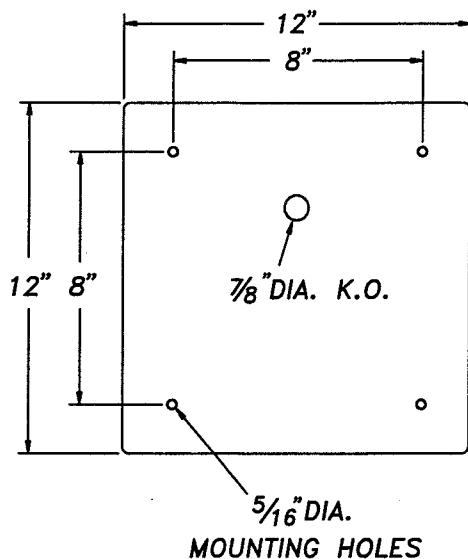
# SECURITY / VANDAL RESISTANT

## HM SERIES HID SECURITY SURFACE LUMINAIRE

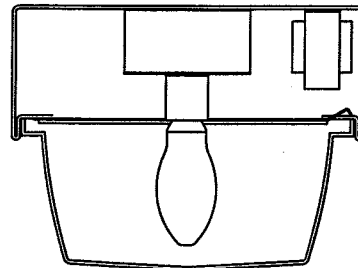


DRY, DAMP OR WET LOCATION U.L. LISTING

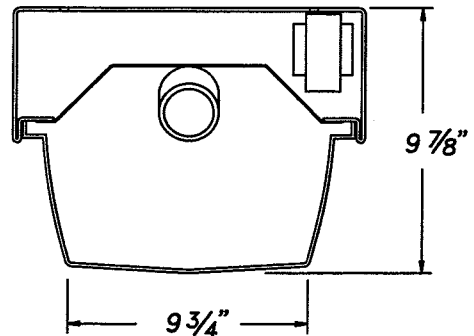
- ONE PIECE HOUSING OF DIE FORMED COLD ROLLED STEEL.
- CONTINUOUSLY WELDED SEAMS, GROUND SMOOTH.
- INJECTION MOLDED POLYCARBONATE LENS.
- STAINLESS STEEL TAMPERPROOF FASTENERS.
- HORIZONTAL (STANDARD) AND VERTICAL LAMP POSITIONS.



VERTICAL LAMP



HORIZONTAL LAMP



**THE L.C. DOANE COMPANY** DESIGNERS AND MANUFACTURERS OF SPECIALIZED LIGHTING EQUIPMENT  
P.O. Box 975 • Essex, CT 06426 • (860) 767-8295 • Fax (860) 767-1397 • Web Site: [www.lcdoane.com](http://www.lcdoane.com)

# SECURITY / VANDAL RESISTANT

EXAMPLE: HMS54-277-CW-PHD-SR

HM							
CHART	1	2	3	4	5	6	OPTIONS

CHART 1 HID LAMPS	
S76	35W HIGH PRESSURE SODIUM
S68	50W HIGH PRESSURE SODIUM
S62	70W HIGH PRESSURE SODIUM
S54	100W HIGH PRESSURE SODIUM
S55	150W HIGH PRESSURE SODIUM
M98	70W METAL HALIDE
M90	100W METAL HALIDE

LAMPS NOT INCLUDED

CHART 2 VOLTAGE (60 Hz.)	
120	208
240	277

CHART 3 MATERIAL SPEC.	
C	COLD ROLLED STEEL
S	STAINLESS STEEL

CHART 4 FINISH	
W	WHITE
R	BRUSHED, STAINLESS ONLY

CHART 5 FASTENERS	
AP	ALLEN HEAD W/PIN, STAINLESS STEEL
TP	TORX HEAD W/PIN, STAINLESS STEEL
PH	PHILLIPS (NON SECURITY)

CHART 6 U.L. LISTING	
D	DAMP & DRY LOCATION
W	WET LOCATION

OPTIONS	
FH	FUSE AND HOLDER
QR	QUARTZ RESTRIKE SYSTEM
SR	SPECULAR REFLECTOR
VL	VERTICAL LAMP
PC	ADJUSTABLE PHOTO CONTROL
HR	QUICK RESTRIKE (*)

(\*) FOR HPS UP TO 150W ONLY.

DIMENSIONS AND SPECIFICATIONS SUBJECT TO CHANGE WITHOUT NOTIFICATION.

MODIFICATIONS ARE AVAILABLE TO SUIT CUSTOM REQUIREMENTS.



**THE L.C. DOANE COMPANY** DESIGNERS AND MANUFACTURERS OF SPECIALIZED LIGHTING EQUIPMENT  
 P.O. Box 975 • Essex, CT 06426 • (860) 767-8295 • Fax (860) 767-1397 • Web Site: www.lcdoane.com