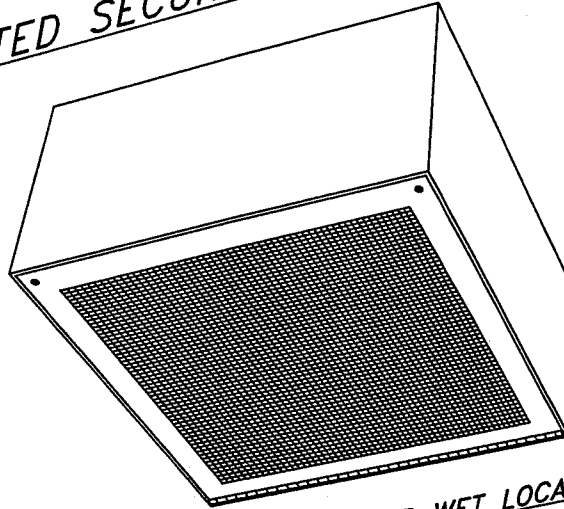
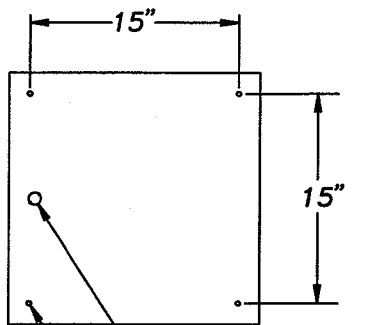


# SECURITY / VANDAL RESISTANT

## HD SERIES SURFACE MOUNTED SECURITY HID LUMINAIRE

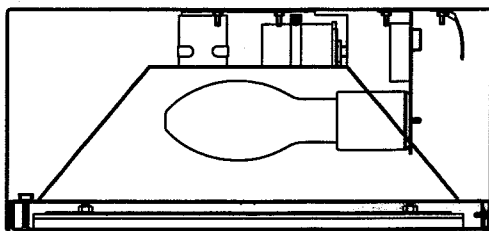


DRY, DAMP, OR WET LOCATION U.L. LISTING

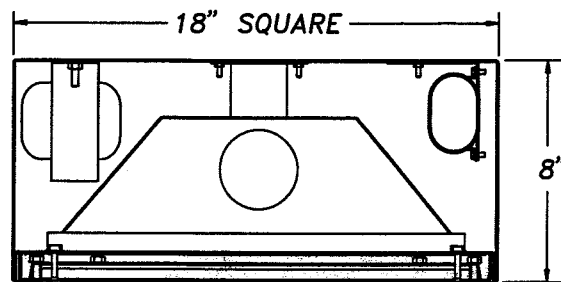


7/8" DIA. K.O.  
5/16" DIA. MOUNTING HOLES

- HEAVY GAUGE DIE FORMED HOUSING.
- CONTINUOUSLY WELDED SEAMS, GROUND SMOOTH.
- 16 GAUGE PIANO HINGE WITH WELDED PIN.
- ADJUSTABLE HEAVY GAUGE LENS RETAINERS.
- RECESSED STAINLESS STEEL TAMPERPROOF FASTENERS.



15" SQUARE  
WINDOW OPENING



**THE L.C. DOANE COMPANY** DESIGNERS AND MANUFACTURERS OF SPECIALIZED LIGHTING EQUIPMENT  
P.O. Box 975 • Essex, CT 06426 • (860) 767-8295 • Fax (860) 767-1397 • Web Site: [www.lcdoane.com](http://www.lcdoane.com)

# SECURITY / VANDAL RESISTANT

EXAMPLE: HDM57-120-XCW-75/30-TPW

HD										
CHART	1	2	3	4	5	6	7	8	9	OPTIONS

CHART 1 HID LAMPS	
S76	35W HIGH PRESSURE SODIUM
S68	50W HIGH PRESSURE SODIUM
S62	70W HIGH PRESSURE SODIUM
S54	100W HIGH PRESSURE SODIUM
S55	150W HIGH PRESSURE SODIUM
S66	200W HIGH PRESSURE SODIUM
S50	250W HIGH PRESSURE SODIUM
M98	70W METAL HALIDE
M90	100W METAL HALIDE
M57	175W METAL HALIDE
M58	250W METAL HALIDE

LAMPS NOT INCLUDED

CHART 2 VOLTAGE (60 Hz.)			
120	208	240	277

CHART 3 MATERIAL GAGE	
X	14 Ga. MAXIMUM SECURITY
D	16 Ga. MEDIUM SECURITY
N	18 Ga. MINIMUM SECURITY

CHART 4 MATERIAL SPEC.	
C	COLD ROLLED STEEL
S	STAINLESS STEEL

CHART 5 FINISH	
W	WHITE
R	BRUSHED, STAINLESS ONLY

CHART 6 INTERNAL LENS	
75	.156 TEMPERED GLASS PRISM.

CHART 7 EXTERNAL LENS	
30	.187 POLYCARBONATE
32	.250 POLYCARBONATE
36	.375 POLYCARBONATE
90	.187 TEMPERED GLASS
92	.250 TEMPERED GLASS
96	.375 TEMPERED GLASS

CHART 8 FASTENERS	
AP	ALLEN HEAD W/PIN, STAINLESS STEEL
TP	TORX HEAD W/PIN, STAINLESS STEEL
PH	PHILLIPS (NON SECURITY)

CHART 9 U.L. LISTING	
D	DAMP & DRY LOCATION
W	WET LOCATION

OPTIONS	
FH	FUSE AND HOLDER
QR	QUARTZ RESTRIKE SYSTEM

DIMENSIONS AND SPECIFICATIONS SUBJECT TO CHANGE WITHOUT NOTIFICATION.

MODIFICATIONS ARE AVAILABLE TO SUIT CUSTOM REQUIREMENTS.



**THE L.C. DOANE COMPANY** DESIGNERS AND MANUFACTURERS OF SPECIALIZED LIGHTING EQUIPMENT  
 P.O. Box 975 • Essex, CT 06426 • (860) 767-8295 • Fax (860) 767-1397 • Web Site: www.lcdoane.com