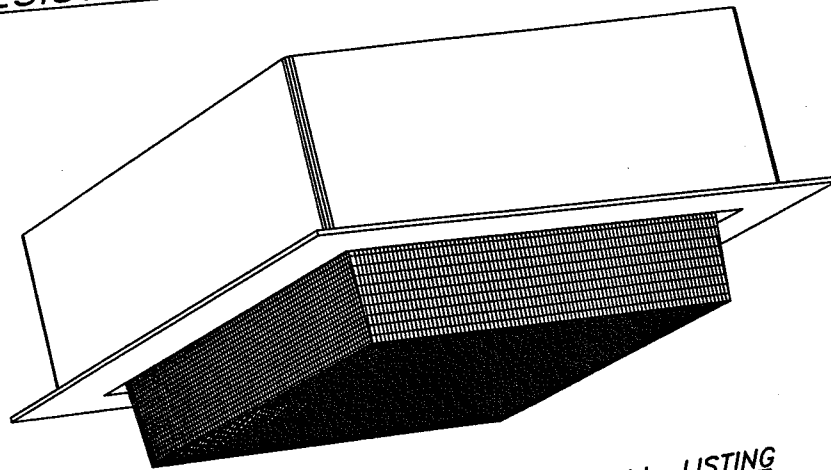


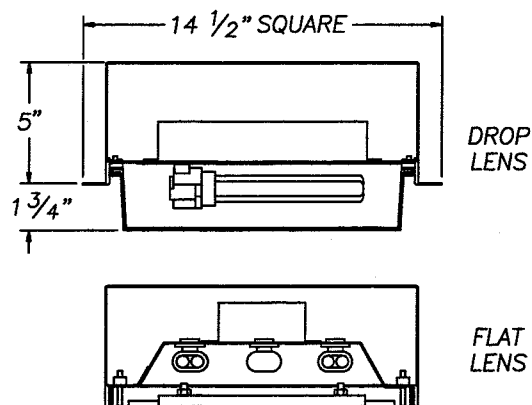
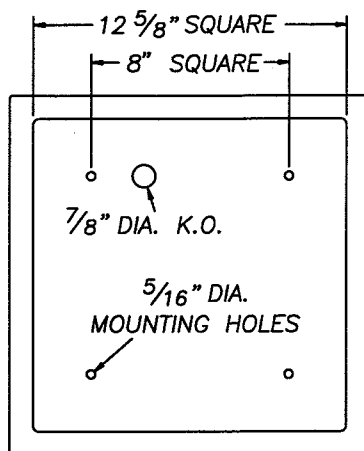
SECURITY / VANDAL RESISTANT

HAR SERIES VANDAL RESISTANT RECESSED LUMINAIRE



WET LOCATION U.L. LISTING

- ONE PIECE HOUSING CONSTRUCTED OF DIE FORMED COLD ROLLED STEEL WITH WELDED SEAMS.
- ONE PIECE ACRYLIC, POLYCARBONATE, OR GLASS (FLAT ONLY) DIFFUSER.
- 4 STAINLESS STEEL TAMPERPROOF FASTENERS.
- HINGED REFLECTOR MOUNTED ELECTRICAL COMPONENTS.



THE L.C. DOANE COMPANY DESIGNERS AND MANUFACTURERS OF SPECIALIZED LIGHTING EQUIPMENT
P.O. Box 975 • Essex, CT 06426 • (860) 767-8295 • Fax (860) 767-1397 • Web Site: www.lcdoane.com

SECURITY / VANDAL RESISTANT

EXAMPLE: HAR262-120RS-A-AP-FH

HAR								
CHART	1	2	3	4	5	6	OPTIONS	

CHART 1 PL LAMPS	
07	7W T4 TT
09	9W T4 TT
13	13W T4 TT
13D	13W T4 QUAD
26	26W T4 QUAD

CHART 2 LAMP QTY.		
1	2	3

LAMPS NOT INCLUDED

CHART 3 VOLTAGE (60 Hz.)		
120	277	347

CHART 4 BALLAST	
CO	CORE & COIL
HP	HIGH POWER FACTOR
EL	ELECTRONIC *

* AVAILABLE FOR 13D AND 26 LAMPS ONLY.

CHART 5 FLAT LENS	
15	.156 POLYCARB. K12 PRISM.
16	.187 POLYCARB. K12 PRISM.
53	.125 ACRYLIC K12 PRISM.
55	.156 ACRYLIC DR K12 PRISM.
75	.156 TEMPERED GLASS PRISM.

DROP LENS MATERIAL

A	ACRYLIC (STANDARD)
P	POLYCARBONATE

CHART 6 FASTENERS	
AP	ALLEN HEAD W/PIN, STAINLESS STEEL
TP	TORX HEAD W/PIN, STAINLESS STEEL
PH	PHILLIPS (NON SECURITY)

OPTIONS	
E1	90 MIN. EMERGENCY FLUORESCENT
FH	FUSE AND HOLDER
PF	FLASTER FRAME
CU	CANADIAN U.L. LISTED
SR	SPECULAR REFLECTOR

DIMENSIONS AND SPECIFICATIONS SUBJECT TO CHANGE WITHOUT NOTIFICATION.

MODIFICATIONS ARE AVAILABLE TO SUIT CUSTOM REQUIREMENTS.



THE L.C. DOANE COMPANY DESIGNERS AND MANUFACTURERS OF SPECIALIZED LIGHTING EQUIPMENT
 P.O. Box 975 • Essex, CT 06426 • (860) 767-8295 • Fax (860) 767-1397 • Web Site: www.lcdoane.com