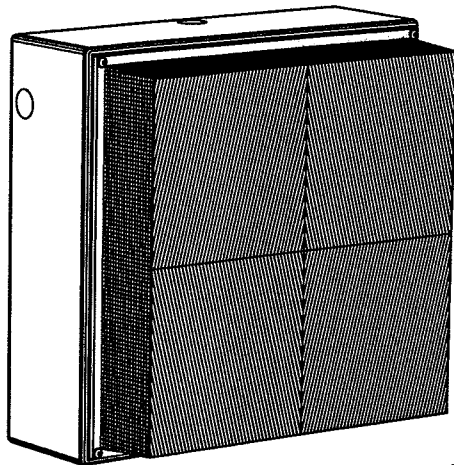


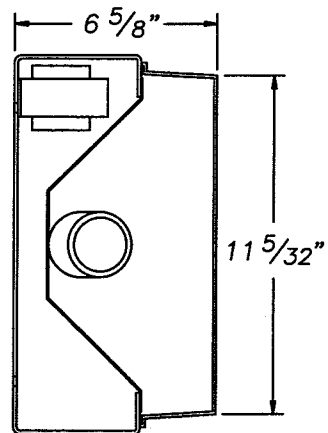
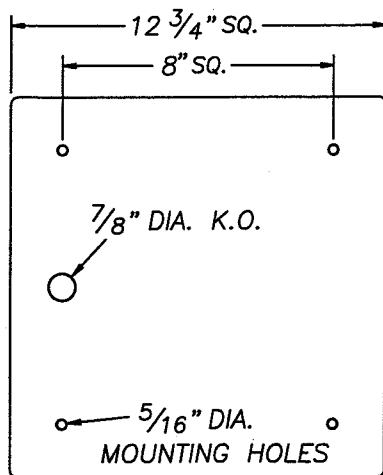
# SECURITY / VANDAL RESISTANT

## HA SERIES (HID) VANDAL RESISTANT SURFACE LUMINAIRE



*DRY, DAMP OR WET LOCATION U.L. LISTING*

- ONE PIECE DIE FORMED HOUSING.
- CONTINUOUSLY WELDED SEAMS GROUND SMOOTH.
- INJECTION MOLDED POLYCARBONATE LENS.
- STAINLESS STEEL TAMPERPROOF FASTENERS.



**THE L.C. DOANE COMPANY** DESIGNERS AND MANUFACTURERS OF SPECIALIZED LIGHTING EQUIPMENT  
P.O. Box 975 • Essex, CT 06426 • (860) 767-8295 • Fax (860) 767-1397 • Web Site: [www.lcdoane.com](http://www.lcdoane.com)

# SECURITY / VANDAL RESISTANT

EXAMPLE: HAS54-277B-PHW-FH

HA		-			-			-		
CHART	1		2		3		4		5	OPTIONS

CHART 1 HID LAMPS	
S76	35W HIGH PRESSURE SODIUM
S68	50W HIGH PRESSURE SODIUM
S62	70W HIGH PRESSURE SODIUM
S54	100W HIGH PRESSURE SODIUM
S55	150W HIGH PRESSURE SODIUM
M90	100W METAL HALIDE
H38	100W MERCURY VAPOR

LAMPS NOT INCLUDED

CHART 2 VOLTAGE (60 Hz.)	
120	208
240	277

CHART 3 FINISH	
W	WHITE
B	BLACK
A	ALUMINUM
Z	BRONZE

CHART 4 FASTENERS	
AP	ALLEN HEAD W/PIN, STAINLESS STEEL
TP	TORX HEAD W/PIN, STAINLESS STEEL
PH	PHILLIPS (NON SECURITY)

CHART 5 U.L. LISTING	
D	DAMP & DRY LOCATION
W	WET LOCATION

OPTIONS	
QR	QUARTZ RESTRIKE SYSTEM
FH	FUSE AND HOLDER
PC	PHOTO CELL

DIMENSIONS AND SPECIFICATIONS SUBJECT TO CHANGE WITHOUT NOTIFICATION.

MODIFICATIONS ARE AVAILABLE TO SUIT CUSTOM REQUIREMENTS.



**THE L.C. DOANE COMPANY** DESIGNERS AND MANUFACTURERS OF SPECIALIZED LIGHTING EQUIPMENT  
 P.O. Box 975 • Essex, CT 06426 • (860) 767-8295 • Fax (860) 767-1397 • Web Site: www.lcdoane.com