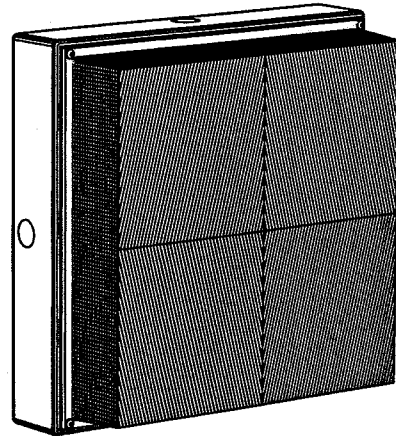
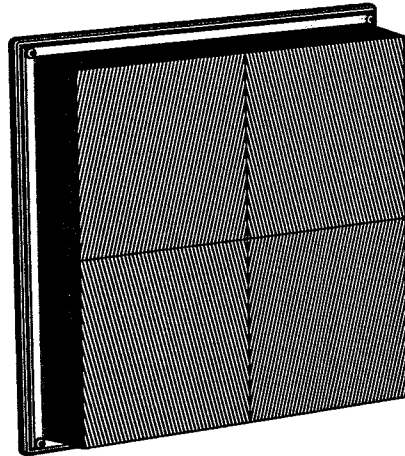


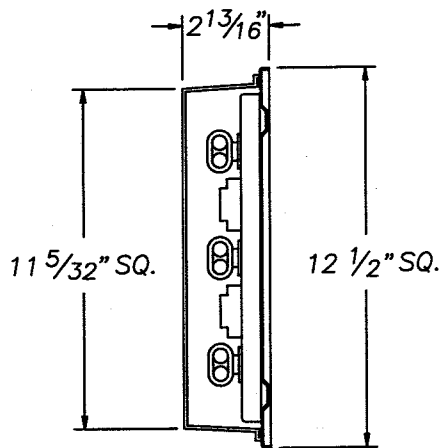
SECURITY / VANDAL RESISTANT

HA SERIES (FLUORESCENT) VANDAL RESISTANT SURFACE LUMINAIRE

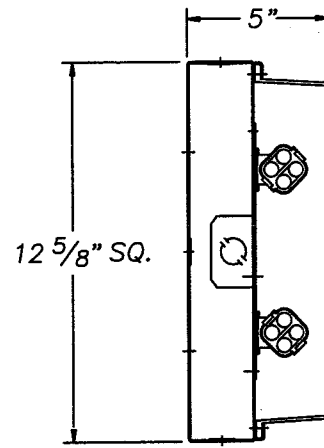


DRY, DAMP OR WET LOCATION U.L. LISTING

- ONE PIECE DIE FORMED HOUSING.
- INJECTION MOLDED ACRYLIC LENS.
- STAINLESS STEEL TAMPERPROOF FASTENERS.



TWIN TUBE FLUORESCENT



CONDUIT MOUNTING



THE L.C. DOANE COMPANY DESIGNERS AND MANUFACTURERS OF SPECIALIZED LIGHTING EQUIPMENT
P.O. Box 975 • Essex, CT 06426 • (860) 767-8295 • Fax (860) 767-1397 • Web Site: www.lcdoane.com

SECURITY / VANDAL RESISTANT

EXAMPLE: HA132-120HP-W-PHW-FH

HA								
CHART	1	2	3	4	5	6	7	OPTIONS

CHART 1 PL LAMPS	
07	7W T4 TT
09	9W T4 TT
13	13W T4 TT
13D	13W T4 DTT (CB ONLY)
26	26W T4 DTT (CB ONLY)

CHART 5 FINISH	
W	WHITE
B	BLACK
A	ALUMINUM
Z	BRONZE

CHART 2 LAMP QTY.			
1	2	3	

LAMPS NOT INCLUDED

CHART 6 FASTENERS	
AP	ALLEN HEAD W/PIN, STAINLESS STEEL
TP	TORX HEAD W/PIN, STAINLESS STEEL
PH	PHILLIPS (NON SECURITY)

CHART 3 VOLTAGE (60 Hz.)		
120	277	

CHART 7 U.L. LISTING	
D	DAMP & DRY LOCATION
W	WET LOCATION

CHART 4 BALLAST	
PH	PREHEAT (STANDARD)
EL	ELECTRONIC *
HP	HIGH POWER FACTOR

OPTIONS	
CB	CONDUIT BOX
FH	FUSE AND HOLDER
E1	ONE LAMP 90 MIN. BATTERY BACKUP **
PC	PHOTO CELL **

* ELECTRONIC BALLASTS AVAILABLE FOR 13 & 26 WATT DTT LAMPS ONLY.

** WITH CONDUIT MOUNTING BOX ONLY.

DIMENSIONS AND SPECIFICATIONS SUBJECT TO CHANGE WITHOUT NOTIFICATION.

MODIFICATIONS ARE AVAILABLE TO SUIT CUSTOM REQUIREMENTS.



THE L.C. DOANE COMPANY DESIGNERS AND MANUFACTURERS OF SPECIALIZED LIGHTING EQUIPMENT
 P.O. Box 975 • Essex, CT 06426 • (860) 767-8295 • Fax (860) 767-1397 • Web Site: www.lcdoane.com