

**intent**

The GTON series is designed for general purpose lighting in high abuse environments with T grid ceilings.

**mounting**

Mounts recessed in T grid ceilings.

**housing**

Made from sheet steel die formed to shape with seams welded and ground smooth.

**door**

Outfitted with adjustable, heavy gauge lens retainers and a full length, 16 gauge piano hinge with welded pin.

**finish**

Polyester powder coated after phosphate pre-treatment for superior adhesion and corrosion resistance.

**hardware**

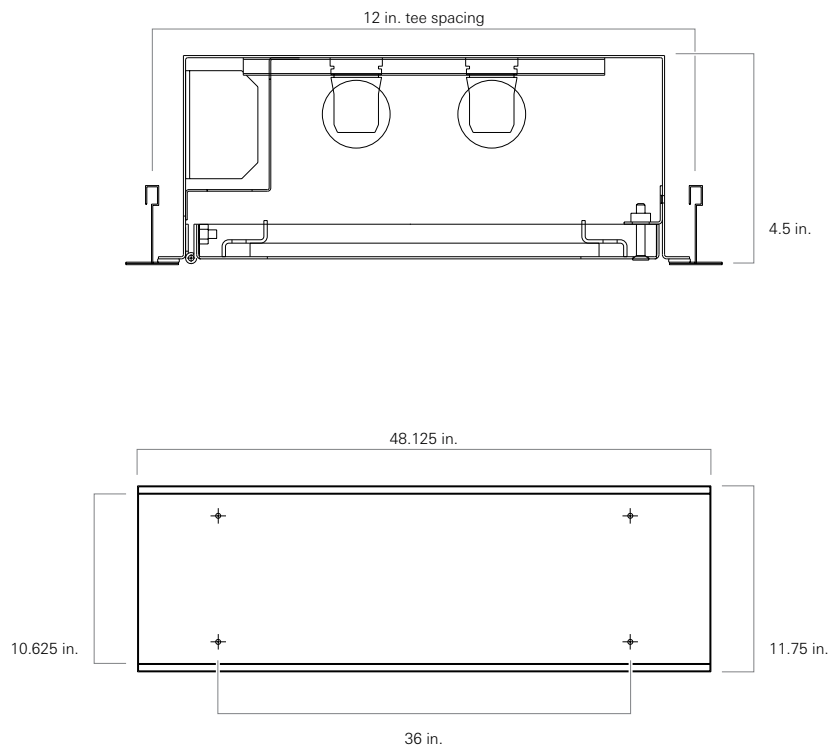
Recessed, stainless steel, tamper-proof screws provide luminaire access.

**wiring**

The housing is outfitted with an access plate with two 0.875 in. diameter knockouts for easy wiring and maintenance.

**certifications**

Wet location UL listed.





**one      lamps (not included)**

- 28      4 ft. 28 W T5
- 32      4 ft. 32 W T8
- 54      4 ft. 54 W T5 HO

**two      lamp quantity**

- 1      one
- 2      two
- 3      three

**three      door gauge**

- N      18 gauge, minimum security
- D      16 gauge, medium security
- X      14 gauge, maximum security

**four      door material**

- C      cold rolled steel
- S      stainless steel

**five      finish**

- R      brushed, 18 gauge stainless steel
- W      white

**six      voltage (60 Hz)**

- 120      120 V
- 277      277 V
- 347      347 V
- VAR      variable, 120-277 V

**seven      ballast**

- DM      dimming
- EL      electronic
- HO      high output
- PR      program start
- RS      rapid start

**eight      internal lens**

- 53      0.125 in. acrylic K12 prismatic, standard
- 15      0.156 in. polycarbonate K12 prismatic
- 16      0.187 in. polycarbonate K12 prismatic
- 75      0.156 in. tempered glass prismatic
- 01      0.005 in. UV absorbing overlay

**nine      external lens**

- 30      0.187 in. polycarbonate, standard
- 32      0.250 in. polycarbonate
- 36      0.375 in. polycarbonate
- 90      0.187 in. tempered glass
- 92      0.250 in. tempered glass

**ten      fasteners**

- AP      stainless steel allen head with pin
- TP      stainless steel torx head with pin
- PH      phillips, non security

**eleven      options**

- 2C      two circuit wired
- E1      one lamp emergency service
- E2      two lamp emergency service
- FH      fuse and holder
- NL      night light, for 7 or 9 W PL bipin