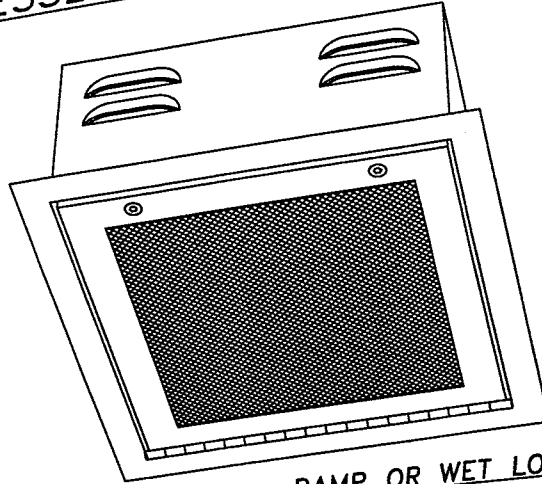
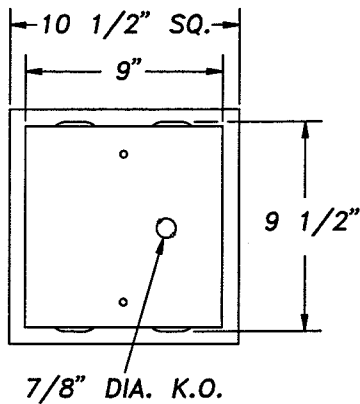


# SECURITY / VANDAL RESISTANT

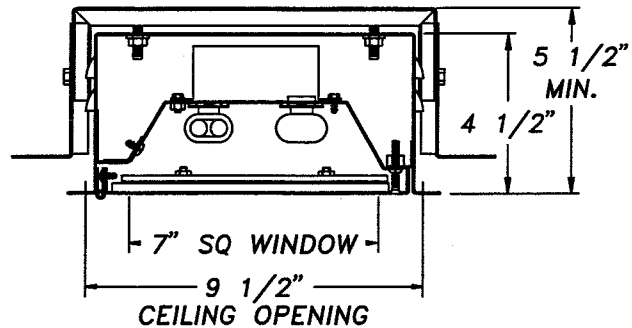
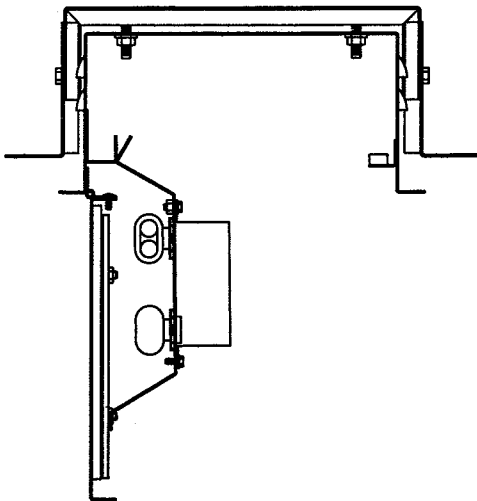
## FHNM SERIES HINGED RECESSED SECURITY LUMINAIRE



DAMP OR WET LOCATION U.L. LISTING



- ONE PIECE DIE FORMED 18 GAUGE HOUSING.
- CONTINUOUS PIANO HINGE WITH WELDED PIN.
- ADJUSTABLE HEAVY GAUGE LENS RETAINERS.
- RECESSED TAMPERPROOF FASTENERS.
- UNIVERSAL MOUNTING BRACKET.
- EASY TO WIRE HINGED REFLECTOR.



**THE L.C. DOANE COMPANY** DESIGNERS AND MANUFACTURERS OF SPECIALIZED LIGHTING EQUIPMENT  
P.O. Box 975 • Essex, CT 06426 • (860) 767-8295 • Fax (860) 767-1397 • Web Site: [www.lcdoane.com](http://www.lcdoane.com)

# SECURITY / VANDAL RESISTANT

EXAMPLE: FHNM132-DCW-120PH-53/30-APD

<b>FHNM</b>			-			-		/		-		-	
CHART	1	2	3	4	5	6	7	8	9	10	11	OPTION	

<b>CHART 1 PL LAMPS</b>	
<b>07</b>	7W T4 TT
<b>09</b>	9W T4 TT
<b>13</b>	13W T4 TT
<b>13D</b>	13W T4 DTT
<b>26</b>	26W T4 DTT

<b>CHART 2 LAMP QTY.</b>	
<b>1</b>	<b>2</b>

LAMPS NOT INCLUDED

<b>CHART 3 MATERIAL GAUGE</b>	
<b>X</b>	14 Ga. MAXIMUM SECURITY
<b>D</b>	16 Ga. MEDIUM SECURITY
<b>N</b>	18 Ga. MINIMUM SECURITY

<b>CHART 4 MATERIAL SPEC.</b>	
<b>C</b>	COLD ROLLED STEEL
<b>S</b>	STAINLESS STEEL
<b>A</b>	ALUMINUM

<b>CHART 5 FINISH</b>	
<b>W</b>	WHITE
<b>R</b>	BRUSHED, STAINLESS ONLY

<b>CHART 6 VOLTAGE (60 Hz.)</b>	
<b>120</b>	<b>277</b>

<b>CHART 7 BALLAST</b>	
<b>PH</b>	PREHEAT (STANDARD)
<b>EL</b>	ELECTRONIC *
<b>HP</b>	HIGH POWER FACTOR

\* ELECTRONIC BALLASTS AVAILABLE FOR 13 & 26 WATT DTT LAMPS ONLY.

<b>CHART 8 INTERNAL LENS</b>	
<b>53</b>	.125 ACRYLIC K12 PRISM. (STD.)
<b>15</b>	.156 POLYCARB. K12 PRISM.
<b>75</b>	.156 TEMPERED GLASS PRISM.
<b>01</b>	.005 UV ABSORBING OVERLAY

<b>CHART 9 EXTERNAL LENS</b>	
<b>30</b>	.187 POLYCARBONATE (STD.)
<b>32</b>	.250 POLYCARBONATE
<b>90</b>	.187 TEMPERED GLASS
<b>92</b>	.250 TEMPERED GLASS

<b>CHART 10 DOOR FASTENERS</b>	
<b>AP</b>	ALLEN HEAD W/PIN, STAINLESS STEEL
<b>TP</b>	TORX HEAD W/PIN, STAINLESS STEEL
<b>PH</b>	PHILLIPS (NON SECURITY)

<b>CHART 11 U.L. LISTING</b>	
<b>D</b>	DAMP & DRY LOCATION
<b>W</b>	WET LOCATION

<b>OPTIONS</b>	
<b>E1</b>	ONE LAMP 90 MIN. BATTERY BACKUP *
<b>FH</b>	FUSE AND HOLDER
<b>CU</b>	CANADIAN U.L. LISTED

\* NOT AVAILABLE FOR 26W LAMP.

DIMENSIONS AND SPECIFICATIONS SUBJECT TO CHANGE WITHOUT NOTIFICATION.

MODIFICATIONS ARE AVAILABLE TO SUIT CUSTOM REQUIREMENTS.

