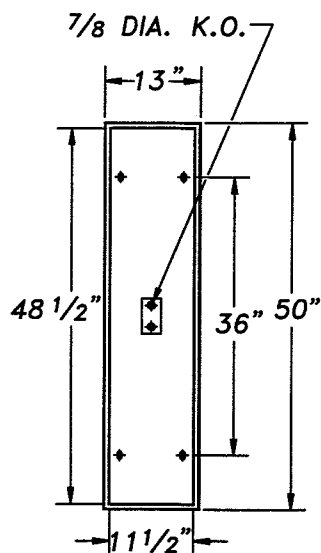
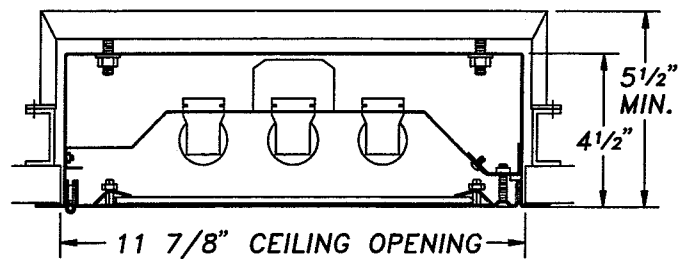
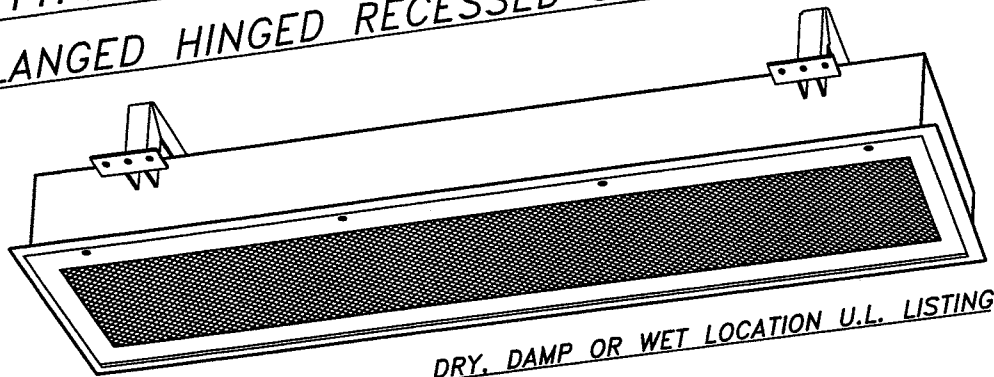


# SECURITY / VANDAL RESISTANT

## FHN SERIES FLANGED HINGED RECESSED SECURITY LUMINAIRE



- ONE PIECE DIE FORMED HOUSING AND DOOR.
- CONTINUOUSLY WELDED SEAMS, GROUND SMOOTH.
- ADJUSTABLE HEAVY GAUGE LENS RETAINERS.
- RECESSED STAINLESS STEEL TAMPERPROOF FASTENERS.
- REFLECTOR MOUNTED ELECTRICAL COMPONENTS.
- ACCESS PLATE WITH TWO KNOCKOUTS.



**THE L.C. DOANE COMPANY** DESIGNERS AND MANUFACTURERS OF SPECIALIZED LIGHTING EQUIPMENT  
P.O. Box 975 • Essex, CT 06426 • (860) 767-8295 • Fax (860) 767-1397 • Web Site: [www.lcdoane.com](http://www.lcdoane.com)

# SECURITY / VANDAL RESISTANT

EXAMPLE: FHN323-XCW-120EL-53/30-APD

FHN			-				-			/		-			-	
CHART	1	2	3	4	5	6	7	8	9	10	11	OPTION				

CHART #1 LAMPS	
17	17W RS 2' T8
20	20W PH 2' T12
32	32W RS 4' T8
40	40W RS 4' T12
4B	40W RS 2' T5 BIAxIAL

CHART #3 MATERIAL GAGE	
N	18 Ga. MINIMUM SECURITY
D	16 Ga. MEDIUM SECURITY
X	14 Ga. MAXIMUM SECURITY

-		-		-	
ADDITIONAL OPTIONS					

CHART #6 VOLTAGE (60 Hz.)		
120	277	347

CHART #4 MATERIAL SPEC.	
C	COLD ROLLED STEEL
S	STAINLESS STEEL

CHART #7 BALLAST	
EL	ELECTRONIC
ES	ENERGY SAVING
DM	DIMMING
LT	LOW TEMPERATURE

CHART #2 LAMP QTY.			
1	2	3	
LAMPS NOT INCLUDED			

CHART #5 FINISH	
W	WHITE
R	BRUSHED, STAINLESS ONLY

CHART #8 INTERNAL LENS	
53	.125 ACRYLIC K12 PRISM. (STD)
15	.156 POLYCARB. K12 PRISM.
16	.187 POLYCARB. K12 PRISM.
75	.156 TEMPERED GLASS PRISM.
01	.005 UV ABSORBING OVERLAY

CHART #9 EXTERNAL LENS	
30	.187 POLYCARBONATE (STD)
32	.250 POLYCARBONATE
36	.375 POLYCARBONATE
90	.187 TEMPERED GLASS
92	.250 TEMPERED GLASS

CHART #10 DOOR FASTENERS	
AP	ALLEN HEAD W/PIN, STAINLESS STEEL
TP	TORX HEAD W/PIN, STAINLESS STEEL
PH	PHILLIPS HEAD, NON-SECURITY

OPTIONS	
NL	NIGHT LIGHT, FOR 7 OR 9W PL BI-PIN (NOT INCL.)
E1	ONE LAMP EMERGENCY SERVICE
E2	TWO LAMP EMERGENCY SERVICE
FH	FUSE AND HOLDER
PF	PLASTER MOUNTING FRAME

CHART #11 U.L. LISTING	
D	DAMP & DRY LOCATION
W	WET LOCATION

DIMENSIONS AND SPECIFICATIONS SUBJECT TO CHANGE WITHOUT NOTIFICATION.

MODIFICATIONS ARE AVAILABLE TO SUIT CUSTOM REQUIREMENTS.



**THE L.C. DOANE COMPANY** DESIGNERS AND MANUFACTURERS OF SPECIALIZED LIGHTING EQUIPMENT  
 P.O. Box 975 • Essex, CT 06426 • (860) 767-8295 • Fax (860) 767-1397 • Web Site: www.lcdoane.com