

**intent**

The FHG series is designed for general purpose lighting in high abuse environments.

**mounting**

Mounts recessed in ceilings via universal mounting brackets.

**housing**

Made from sheet steel die formed to shape with seams welded and ground smooth.

**door**

Outfitted with adjustable, heavy gauge lens retainers and a full length piano hinge with welded pin.

**finish**

Polyester powder coated after phosphate pretreatment for superior adhesion and corrosion resistance. Brushed stainless steel is also available.

**hardware**

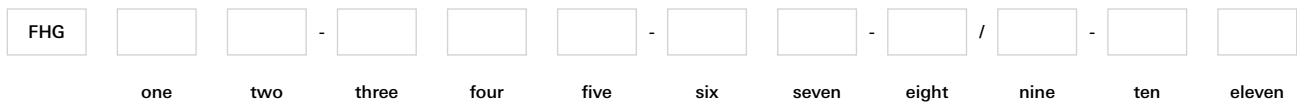
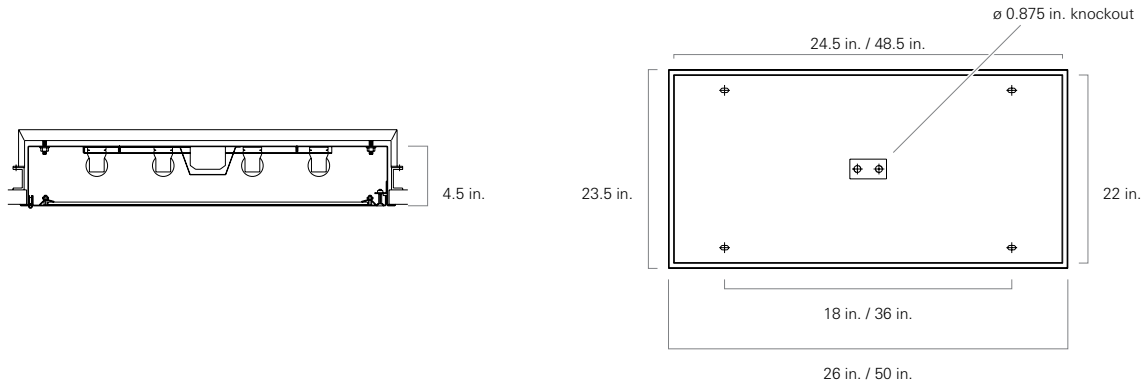
Recessed, stainless steel, tamper-proof screws provide luminaire access.

**wiring**

Electrical entry is provided by an access plate with two 0.875 in. diameter knockouts.

**certifications**

Available with dry, damp, or wet location UL listing.



**one lamps (not included)**

- 14 2 ft. 14 W T5
- 17 2 ft. 17 W T8
- 24 2 ft. 24 W T5 HO
- 4B 2 ft. 40 W T5 RS biax
- 28 4 ft. 28 W T5
- 32 4 ft. 32 W T8
- 54 4 ft. 54 W T5 HO

**two lamp quantity**

- 2 two
- 3 three
- 4 four

**three material gauge**

- N 18 gauge, minimum security
- D 16 gauge, medium security
- X 14 gauge, maximum security

**four material**

- C cold rolled steel
- S stainless steel

**five finish**

- R brushed, stainless steel only
- W white

**six voltage (60 Hz)**

- 120 120 V
- 277 277 V
- 347 347 V
- VAR variable, 120-277 V

**seven ballast**

- DM dimming
- EL electronic
- HO high output
- PR program start
- RS rapid start

**eight internal lens**

- 53 0.125 in. acrylic K12 prismatic, standard
- 15 0.156 in. polycarbonate K12 prismatic
- 16 0.187 in. polycarbonate K12 prismatic
- 75 0.156 in. tempered glass prismatic
- 01 0.005 in. UV absorbing overlay

**nine external lens**

- 30 0.187 in. polycarbonate, standard
- 32 0.250 in. polycarbonate
- 36 0.375 in. polycarbonate
- 90 0.187 in. tempered glass
- 92 0.250 in. tempered glass



**twelve**

**ten door fasteners**

- AP stainless steel allen head with pin
- TP stainless steel torx head with pin
- PH phillips, non security

**eleven UL listing**

- D damp and dry location
- W wet location

**twelve options**

- 2C two circuit wired
- CU Canadian UL listing
- E1 one lamp emergency service
- E2 two lamp emergency service
- FH fuse and holder
- NL night light, for 7 or 9 W PL bipin
- PF plaster frame