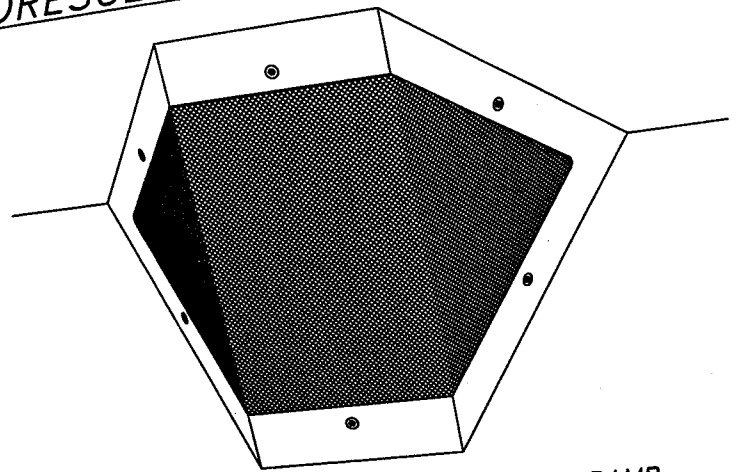
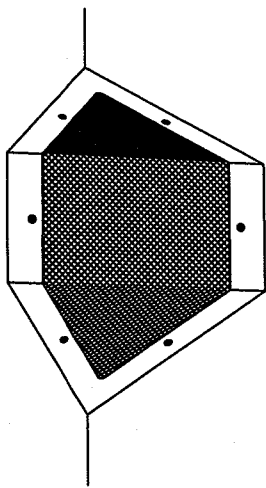


SECURITY / VANDAL RESISTANT

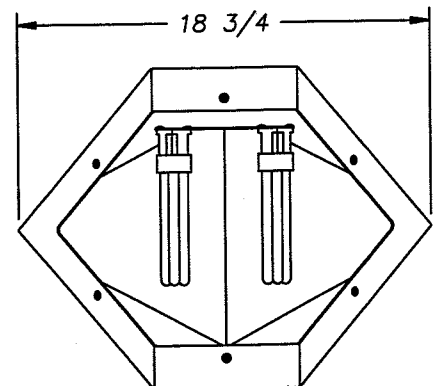
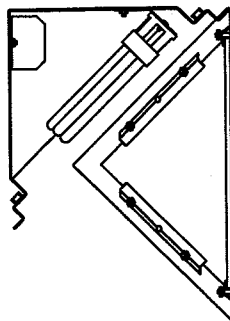
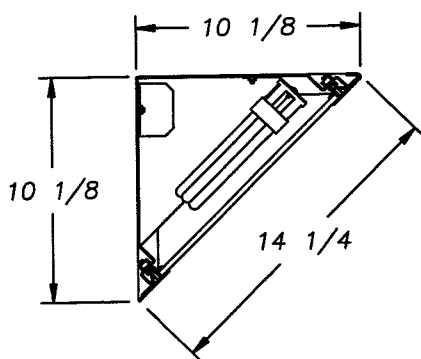
DS1 SERIES SECURITY COMPACT FLUORESCENT CORNER LUMINAIRE



U.L. LISTED DAMP



- SUPERIOR LIGHT DISPERSION OF TWO COMPACT FLUORESCENT LAMPS.
- CORNER CEILING OR CORNER WALL MOUNTING.
- ADJUSTABLE 14 GAUGE STEEL ANGLED LENS RETAINERS.
- ONE PIECE FORMED POLYCARBONATE LENS.
- SEAMLESS REMOVABLE 14 GAUGE CLAMSHELL DOOR.
- STAINLESS STEEL TAMPERPROOF FASTENERS.



THE L.C. DOANE COMPANY DESIGNERS AND MANUFACTURERS OF SPECIALIZED LIGHTING EQUIPMENT
P.O. Box 975 • Essex, CT 06426 • (860) 767-8295 • Fax (860) 767-1397 • Web Site: www.lcdoane.com

SECURITY / VANDAL RESISTANT

EXAMPLE: DS1-26CW-120EL-15TP

DS1	-				-				-						
CHART		1	2	3		4	5	6		7					OPTIONS

CHART 1 PL LAMPS

13D	13W 5" T4 DTT
18D	18W 6" T4 DTT
26	26W 7" T4 DTT (STANDARD)

LAMPS NOT INCLUDED

CHART 7 DOOR FASTENERS

AP	ALLEN HEAD W/PIN, STAINLESS
TP	TORX HEAD W/PIN, STAINLESS
PH	PHILLIPS (NON SECURITY)

CHART 2 DOOR SPEC.

C	COLD ROLLED STEEL (STD)
S	STAINLESS STEEL
A	ALUMINUM

OPTIONS

FH	FUSE AND HOLDER
CU	CANADIAN U.L. LISTED
SR	SPECULAR REFLECTOR

DIMENSIONS AND SPECIFICATIONS SUBJECT TO CHANGE WITHOUT NOTIFICATION.

CHART 3 DOOR FINISH

W	WHITE
R	BRUSHED, STAINLESS ONLY

CHART 4 VOLTAGE (60 Hz.)

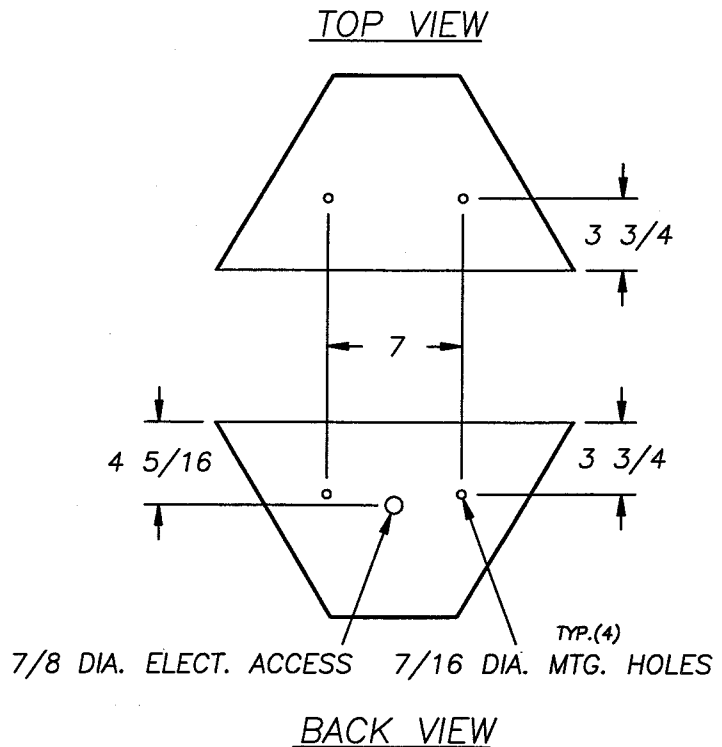
120	277
-----	-----

CHART 5 BALLAST

HP	HIGH POWER FACTOR (STD)
EL	ELECTRONIC

CHART 6 LENS

15	.156 POLYCARB. K12 PRISM.
16	.187 POLYCARB. K12 PRISM.
18	.250 POLYCARB. K12 PRISM.



MODIFICATIONS ARE AVAILABLE TO SUIT CUSTOM REQUIREMENTS.



THE L.C. DOANE COMPANY DESIGNERS AND MANUFACTURERS OF SPECIALIZED LIGHTING EQUIPMENT
 P.O. Box 975 • Essex, CT 06426 • (860) 767-8295 • Fax (860) 767-1397 • Web Site: www.lcdoane.com