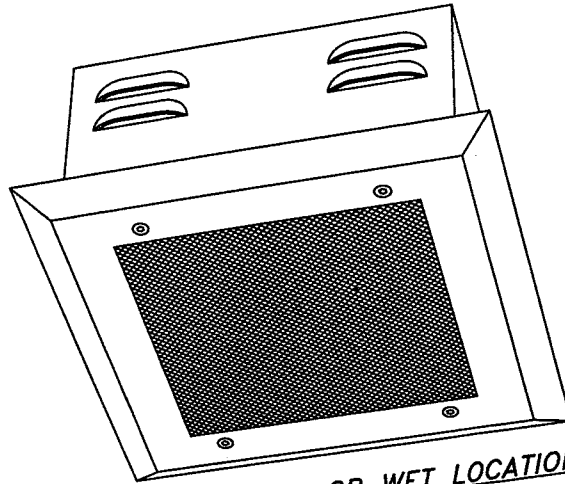
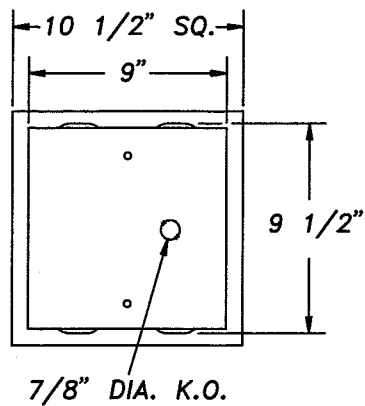


# SECURITY / VANDAL RESISTANT

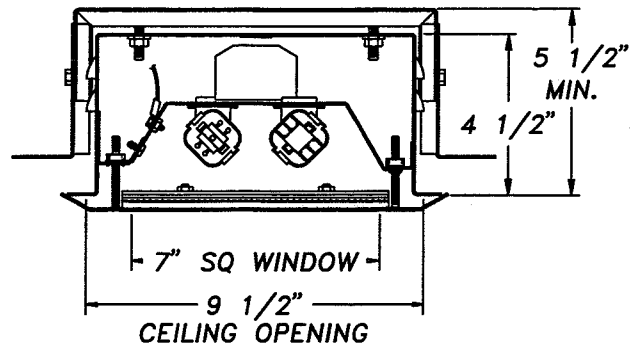
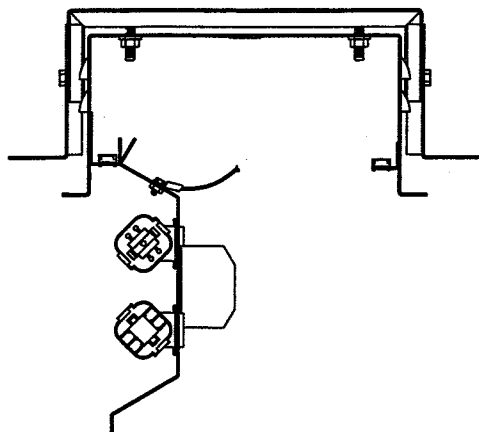
## CRNM SERIES SECURITY RECESSED CEILING LUMINAIRE



DAMP OR WET LOCATION U.L. LISTING



- ONE PIECE DIE FORMED 18 GAUGE HOUSING.
- ADJUSTABLE HEAVY GAUGE LENS RETAINERS.
- RECESSED TAMPERPROOF FASTENERS.
- UNIVERSAL MOUNTING BRACKET.
- EASY TO WIRE HINGED REFLECTOR.



**THE L.C. DOANE COMPANY** DESIGNERS AND MANUFACTURERS OF SPECIALIZED LIGHTING EQUIPMENT  
P.O. Box 975 • Essex, CT 06426 • (860) 767-8295 • Fax (860) 767-1397 • Web Site: [www.lcdoane.com](http://www.lcdoane.com)

# SECURITY / VANDAL RESISTANT

EXAMPLE: CRNM132-DCW-120PH-53/30-APD

CRNM												
CHART	1	2	3	4	5	6	7	8	9	10	11	OPTION

<b>CHART 1 PL LAMPS</b>	
07	7W T4 TT
09	9W T4 TT
13	13W T4 TT
13D	13W T4 DTT
26	26W T4 DTT

<b>CHART 8 INTERNAL LENS</b>	
53	.125 ACRYLIC K12 PRISM. (STD.)
15	.156 POLYCARB. K12 PRISM.
75	.156 TEMPERED GLASS PRISM.
01	.005 UV ABSORBING OVERLAY

<b>CHART 2 LAMP QTY.</b>	
1	2

<b>CHART 9 EXTERNAL LENS</b>	
30	.187 POLYCARBONATE (STD.)
32	.250 POLYCARBONATE
90	.187 TEMPERED GLASS
92	.250 TEMPERED GLASS

LAMPS NOT INCLUDED

<b>CHART 3 DOOR GAUGE</b>	
X	14 Ga. MAXIMUM SECURITY
D	16 Ga. MEDIUM SECURITY
N	18 Ga. MINIMUM SECURITY

<b>CHART 10 DOOR FASTENERS</b>	
AP	ALLEN HEAD W/PIN, STAINLESS STEEL
TP	TORX HEAD W/PIN, STAINLESS STEEL
PH	PHILLIPS (NON SECURITY)

<b>CHART 4 DOOR MATERIAL</b>	
C	COLD ROLLED STEEL
S	STAINLESS STEEL
A	ALUMINUM

<b>CHART 11 U.L. LISTING</b>	
D	DAMP & DRY LOCATION
W	WET LOCATION

<b>CHART 5 DOOR FINISH</b>	
W	WHITE
R	BRUSHED, STAINLESS ONLY

<b>OPTIONS</b>	
E1	ONE LAMP 90 MIN. BATTERY BACKUP *
FH	FUSE AND HOLDER
CU	CANADIAN U.L. LISTED

<b>CHART 6 VOLTAGE (60 Hz.)</b>	
120	277

\* NOT AVAILABLE FOR 26W LAMP.

<b>CHART 7 BALLAST</b>	
PH	PREHEAT (STANDARD)
EL	ELECTRONIC *
HP	HIGH POWER FACTOR

DIMENSIONS AND SPECIFICATIONS SUBJECT TO CHANGE WITHOUT NOTIFICATION.

\* ELECTRONIC BALLASTS AVAILABLE FOR 13 & 26 WATT DTT LAMPS ONLY.

MODIFICATIONS ARE AVAILABLE TO SUIT CUSTOM REQUIREMENTS.

