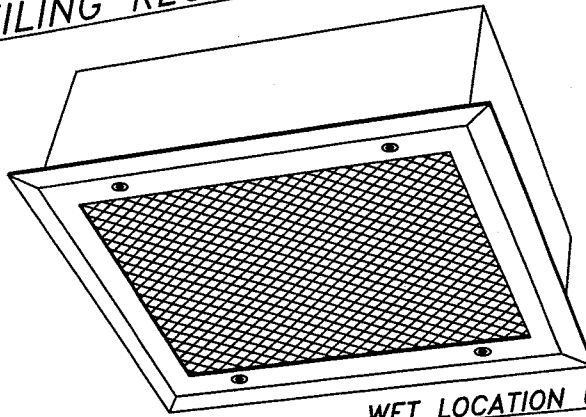
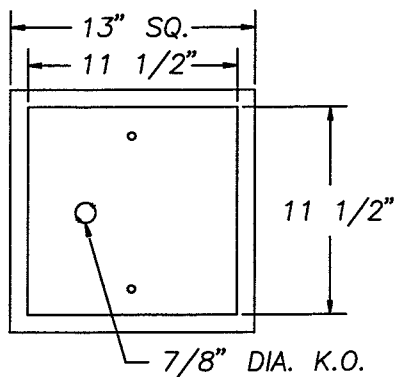


SECURITY / VANDAL RESISTANT

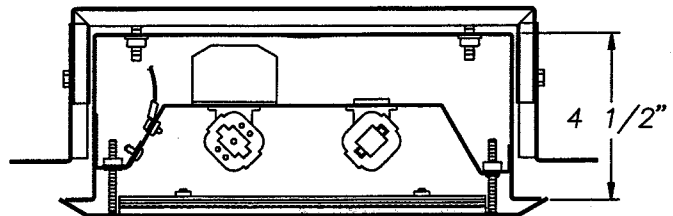
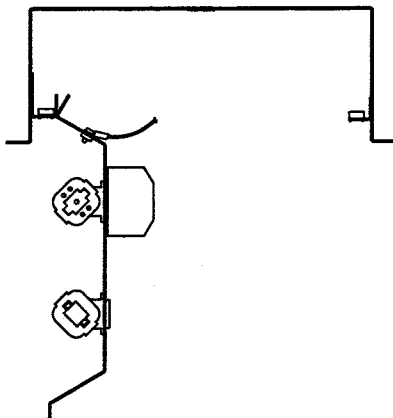
CRN SERIES 12" SQUARE SECURITY CEILING RECESSED LUMINAIRE



WET LOCATION U.L. LISTING



- ONE PIECE DIE FORMED 18 GAGE HOUSING.
- ADJUSTABLE HEAVY GAUGE LENS RETAINERS.
- FULLY RECESSED TAMPERPROOF FASTENERS.
- UNIVERSAL MOUNTING BRACKET.
- EASY TO WIRE HINGED REFLECTOR.



THE L.C. DOANE COMPANY DESIGNERS AND MANUFACTURERS OF SPECIALIZED LIGHTING EQUIPMENT
P.O. Box 975 • Essex, CT 06426 • (860) 767-8295 • Fax (860) 767-1397 • Web Site: www.lcdoane.com

SECURITY / VANDAL RESISTANT

EXAMPLE: CRN132-DCW-120PH-53/30-AP

CRN			-			-		/		-		
CHART	1	2	3	4	5	6	7	8	9	10	OPTIONS	

CHART 1 PL LAMPS	
07	7W T4 TT
09	9W T4 TT
13	13W T4 TT
13D	13W T4 DTT
26	26W T4 DTT

CHART 2 LAMP QTY.	
1	2

LAMPS NOT INCLUDED

CHART 3 DOOR GAUGE	
X	14 Ga. MAXIMUM SECURITY
D	16 Ga. MEDIUM SECURITY
N	18 Ga. MINIMUM SECURITY

CHART 4 DOOR MATERIAL	
C	COLD ROLLED STEEL
S	STAINLESS STEEL
A	ALUMINUM

CHART 5 DOOR FINISH	
W	WHITE
R	BRUSHED, STAINLESS ONLY

CHART 6 VOLTAGE (60 Hz.)	
120	277

CHART 7 BALLAST	
PH	PREHEAT (STANDARD)
EL	ELECTRONIC *
HP	HIGH POWER FACTOR

* ELECTRONIC BALLASTS AVAILABLE FOR 13D & 26 LAMPS ONLY.

CHART 8 INTERNAL LENS	
53	.125 ACRYLIC K12 PRISM. (STD.)
15	.156 POLYCARB. K12 PRISM.
75	.156 TEMPERED GLASS PRISM.
01	.005 UV ABSORBING OVERLAY

CHART 9 EXTERNAL LENS	
30	.187 POLYCARBONATE (STD.)
32	.250 POLYCARBONATE
90	.187 TEMPERED GLASS
92	.250 TEMPERED GLASS

CHART 10 DOOR FASTENERS	
AP	ALLEN HEAD W/PIN, STAINLESS STEEL
TP	TORX HEAD W/PIN, STAINLESS STEEL
PH	PHILLIPS (NON SECURITY)

OPTIONS	
E1	ONE LAMP 90 MIN. BATTERY BACKUP
FH	FUSE AND HOLDER
CU	CANADIAN U.L. LISTED

DIMENSIONS AND SPECIFICATIONS SUBJECT TO CHANGE WITHOUT NOTIFICATION.

MODIFICATIONS ARE AVAILABLE TO SUIT CUSTOM REQUIREMENTS.

