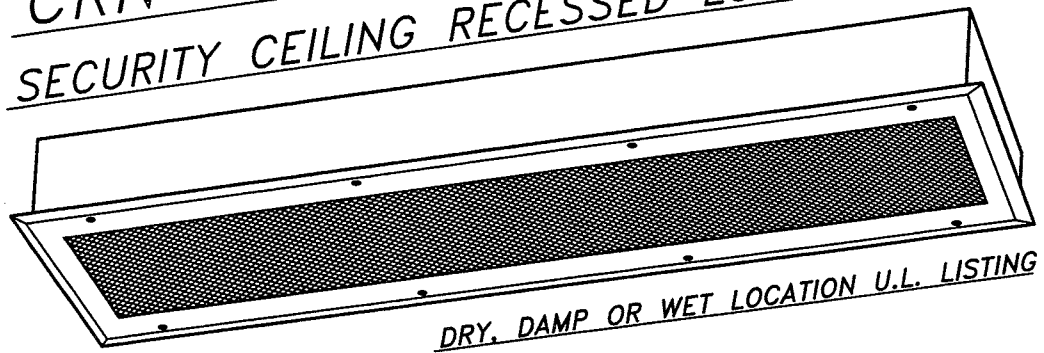
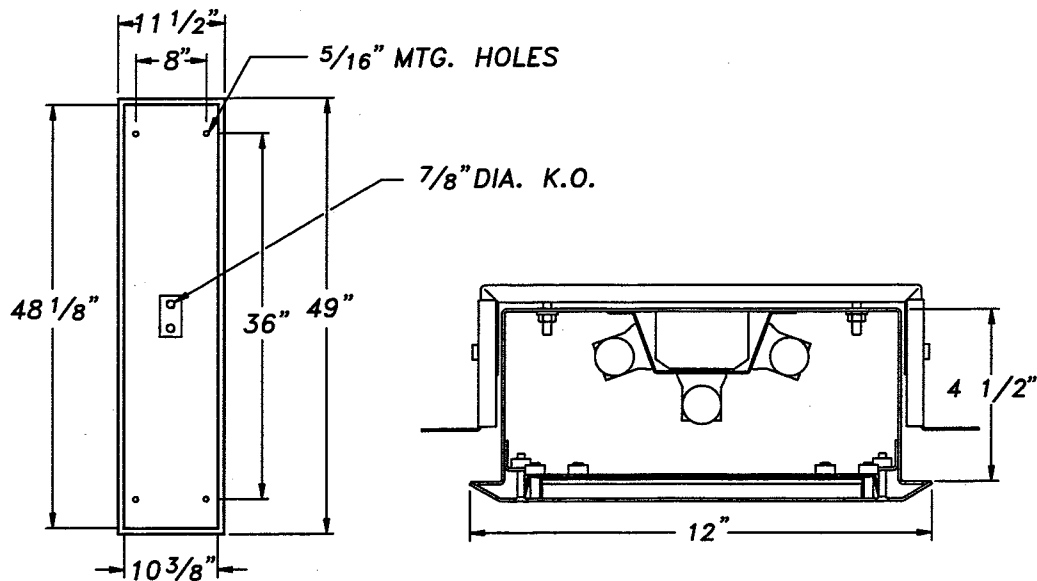


SECURITY / VANDAL RESISTANT

CRN SERIES SECURITY CEILING RECESSED LUMINAIRE



- DIE FORMED 18 GAGE HOUSING.
- ONE PIECE HINGED DOOR WITH WELDED SEAMS.
- ADJUSTABLE HEAVY GAUGE LENS RETAINERS.
- RECESSED TAMPERPROOF FASTENERS.
- UNIVERSAL MOUNTING BRACKET.
- ACCESS PLATE WITH TWO KNOCKOUTS.



THE L.C. DOANE COMPANY DESIGNERS AND MANUFACTURERS OF SPECIALIZED LIGHTING EQUIPMENT
P.O. Box 975 • Essex, CT 06426 • (860) 767-8295 • Fax (860) 767-1397 • Web Site: www.lcdoane.com

SECURITY / VANDAL RESISTANT

EXAMPLE: CRN323-XCW-120EL-15/32-APD-NL

CRN												
CHART	1	2	3	4	5	6	7	8	9	10	11	OPTION

CHART 1 LAMPS	
17	17W RS 2' T8
20	20W PH 2' T12
32	32W RS 4' T8
40	40W RS 4' T12
4B	40W RS 2' T5 BIAXIAL
5B	50W RS 2' T5 BIAXIAL
55	55W RS 2' T5 BIAXIAL
60	60W HO 4' T12

CHART 3 DOOR GAGE	
X	14 Ga. MAXIMUM SECURITY
D	16 Ga. MEDIUM SECURITY
N	18 Ga. MINIMUM SECURITY

CHART 6 VOLTAGE (60 Hz.)	
120	277

CHART 4 DOOR SPEC.	
C	COLD ROLLED STEEL
S	STAINLESS STEEL

CHART 7 BALLAST	
EL	ELECTRONIC
ES	ENERGY SAVING
DM	DIMMING
HO	HIGH OUTPUT

CHART 2 LAMP QTY.		
1	2	3
LAMPS NOT INCLUDED		

CHART 5 FINISH	
W	WHITE
R	BRUSHED, STAINLESS ONLY

CHART 8 INTERNAL LENS	
15	.156 POLYCARB. K12 PRISM.
53	.125 ACRYLIC K12 PRISM. (STD)
75	.156 TEMPERED GLASS PRISM.
01	.005 UV ABSORBING OVERLAY

CHART 9 EXTERNAL LENS	
30	.187 POLYCARBONATE (STD)
32	.250 POLYCARBONATE
90	.187 TEMPERED GLASS
92	.250 TEMPERED GLASS

CHART 10 DOOR FASTENERS	
AP	ALLEN HEAD W/PIN, HARDENED STEEL
TP	TORX HEAD W/PIN, HARDENED STEEL
PH	PHILLIPS HEAD, (NON SECURITY)

OPTIONS	
NL	NIGHT LIGHT, FOR 7W OR 9W PL BI-PIN (NOT INCL.)
E1	ONE LAMP EMERGENCY SERVICE
E2	TWO LAMP EMERGENCY SERVICE
FH	FUSE AND HOLDER
RF	RADIO INTERFERENCE FILTER
PF	PLASTER FRAME

CHART 11 U.L. LISTING	
D	DAMP & DRY LOCATION
W	WET LOCATION

DIMENSIONS AND SPECIFICATIONS SUBJECT TO CHANGE WITHOUT NOTIFICATION.

MODIFICATIONS ARE AVAILABLE TO SUIT CUSTOM REQUIREMENTS.



THE L.C. DOANE COMPANY DESIGNERS AND MANUFACTURERS OF SPECIALIZED LIGHTING EQUIPMENT
 P.O. Box 975 • Essex, CT 06426 • (860) 767-8295 • Fax (860) 767-1397 • Web Site: www.lcdoane.com