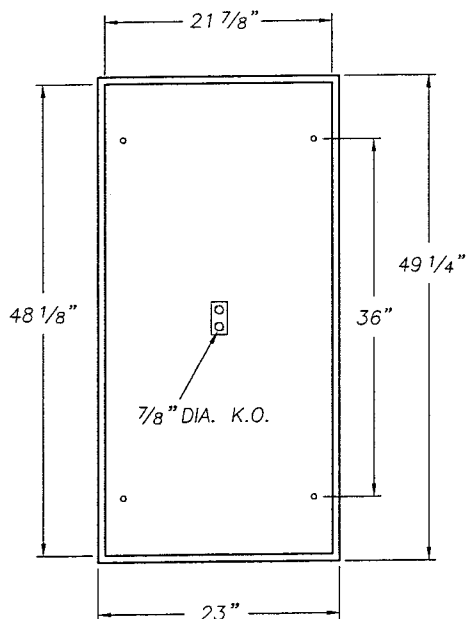
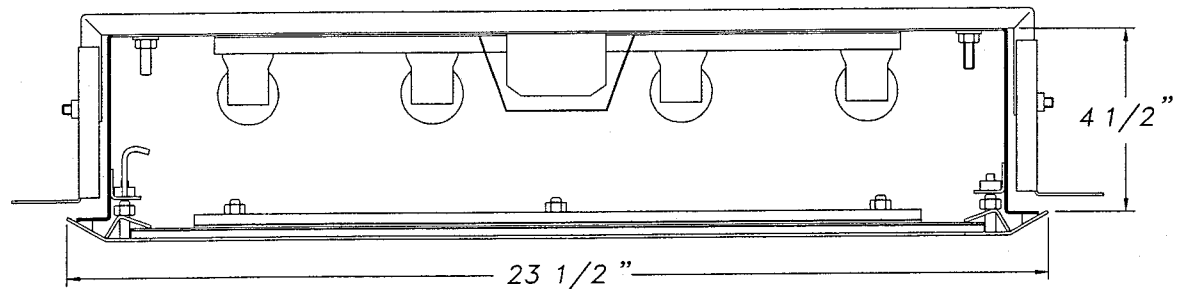
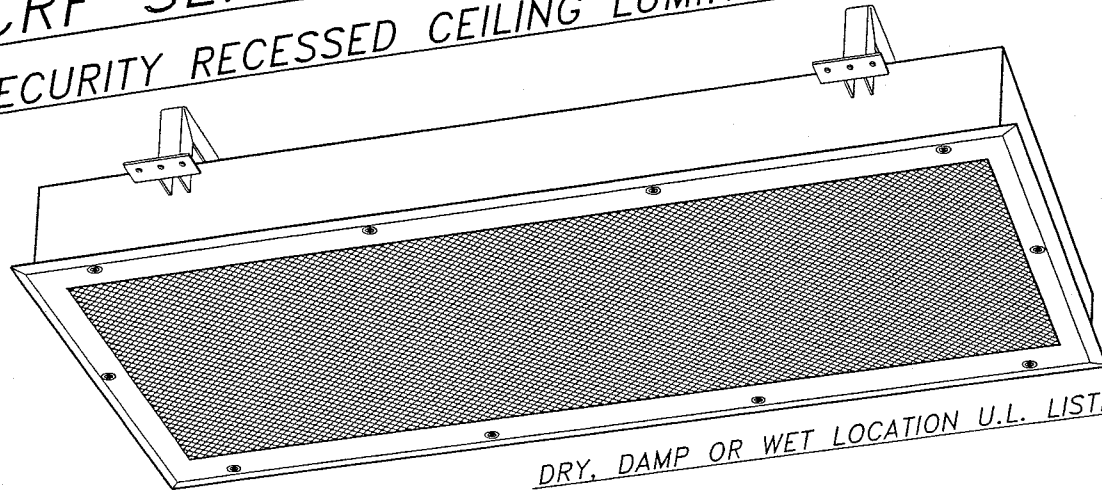


# SECURITY / VANDAL RESISTANT

## CRF SERIES SECURITY RECESSED CEILING LUMINAIRE



- DIE FORMED 18 GAGE HOUSING.
- ONE PIECE DOOR WITH WELDED SEAMS.
- ADJUSTABLE HEAVY GAUGE LENS RETAINERS.
- RECESSED TAMPERPROOF FASTENERS.
- UNIVERSAL MOUNTING BRACKETS.
- ACCESS PLATE WITH TWO KNOCKOUTS.
- "FREEDOM HINGE" PERMITS TOOL-LESS DOOR REMOVAL AND HINGING FROM EITHER SIDE.



# SECURITY / VANDAL RESISTANT

EXAMPLE: CRF324-DCW-120EL-53/30-APD-NL

CRF			-			-			/		-			-	
CHART	1	2	3	4	5	6	7	8	9	10	11	OPTION			

CHART 1 LAMPS	
17	17W RS 2' T8
25	25W RS 3' T8
32	32W RS 4' T8
40	40W RS 4' T12
4U	40W RS 2' T12 U-6"
4B	40W RS 2' T5 BIAXIAL
60	60W HO 4' T12

CHART 3 DOOR GAGE	
X	14 Ga. MAXIMUM SECURITY
D	16 Ga. MEDIUM SECURITY
N	18 Ga. MINIMUM SECURITY

CHART 6 VOLTAGE (60 Hz.)		
120	277	347

CHART 4 DOOR SPEC.	
C	COLD ROLLED STEEL
S	STAINLESS STEEL
A	ALUMINUM

CHART 7 BALLAST	
EL	ELECTRONIC
ES	ENERGY SAVING
DM	DIMMING
HO	HIGH OUTPUT

CHART 2 LAMP QTY.			
2	3	4	6

LAMPS NOT INCLUDED

CHART 5 FINISH	
W	WHITE
R	BRUSHED, STAINLESS ONLY

CHART 8 INTERNAL LENS	
15	.156 POLYCARB. K12 PRISM.
53	.125 ACRYLIC K12 PRISM. (STD)
75	.156 TEMPERED GLASS PRISM.
01	.005 UV ABSORBING OVERLAY

CHART 9 EXTERNAL LENS	
30	.187 POLYCARBONATE (STD)
32	.250 POLYCARBONATE
90	.187 TEMPERED GLASS
92	.250 TEMPERED GLASS

CHART 10 DOOR FASTENERS	
AP	ALLEN HEAD W/PIN, STAINLESS STEEL
TP	TORX HEAD W/PIN, STAINLESS STEEL
PH	PHILLIPS HEAD, (NON SECURITY)

OPTIONS	
NL	NIGHT LIGHT, FOR 7W OR 9W PL BI-PIN (NOT INCL.)
E1	ONE LAMP EMERGENCY SERVICE
E2	TWO LAMP EMERGENCY SERVICE
FH	FUSE AND HOLDER
RF	RADIO INTERFERENCE FILTER
PF	PLASTER FRAME

CHART 11 U.L. LISTING	
D	DAMP & DRY LOCATION
W	WET LOCATION

DIMENSIONS AND SPECIFICATIONS SUBJECT TO CHANGE WITHOUT NOTIFICATION.

MODIFICATIONS ARE AVAILABLE TO SUIT CUSTOM REQUIREMENTS.



**THE L.C. DOANE COMPANY** DESIGNERS AND MANUFACTURERS OF SPECIALIZED LIGHTING EQUIPMENT  
 P.O. Box 975 • Essex, CT 06426 • (860) 767-8295 • Fax (860) 767-1397 • Web Site: www.lcdoane.com