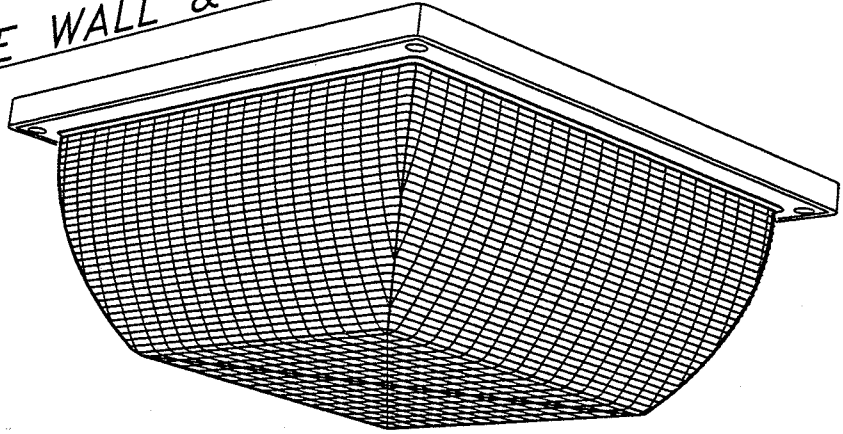


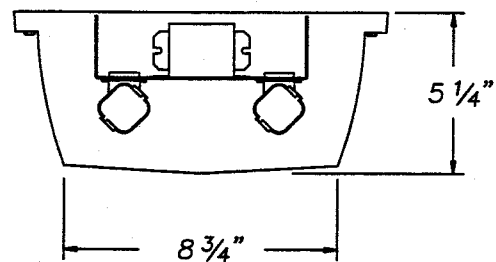
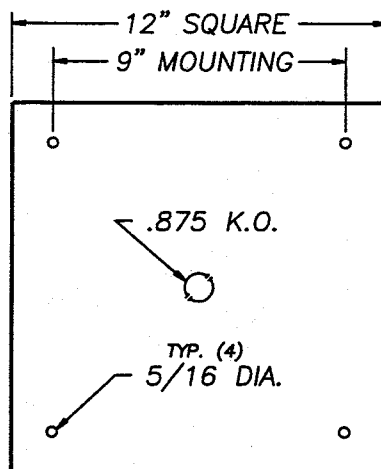
SPECIAL APPLICATION

400 SERIES PUBLIC ABUSE WALL & CEILING LUMINAIRE



DRY, DAMP OR WET LOCATION U.L. LISTING

- VANDAL RESISTANT, INJECTION MOLDED, PRISMATIC LENS COMPLETELY ENCLOSES THE BACKPLATE AND PROVIDES MAXIMUM LIGHT EFFICIENCY.
- 4 STAINLESS STEEL TAMPER RESISTANT LENS RETAINING SCREWS.
- ONE PIECE 18 GAUGE DIE FORMED STEEL BACKPLATE.
- WET LOCATION FIXTURES GASKETED WITH CLOSED CELL NEOPRENE.



THE L.C. DOANE COMPANY DESIGNERS AND MANUFACTURERS OF SPECIALIZED LIGHTING EQUIPMENT
P.O. Box 975 • Essex, CT 06426 • (860) 767-8295 • Fax (860) 767-1397 • Web Site: www.lcdoane.com

SPECIAL APPLICATION

EXAMPLE: 400-262C-120EL-OPTPW

400	-				-				-				
CHART		1	2	3		4		5		6	7	8	OPTIONS

CHART #1 PL LAMPS

13D	13W 5" T4 DTT
18D	18W 6" T4 DTT
26	26W 7" T4 DTT (STANDARD)
32T	32W 6" T4 TTT
42C	42W 7" T4 QTT

LAMPS NOT INCLUDED

CHART #2 LAMP QTY.

	1		2
--	---	--	---

CHART #3 MATERIAL SPEC.

C	COLD ROLLED STEEL
S	STAINLESS STEEL

CHART #4 VOLTAGE (60 Hz.)

120	277
-----	-----

CHART #5 BALLAST *

PH	PREHEAT
EL	ELECTRONIC
HP	HIGH POWER FACTOR

* CONSULT FACTORY

CHART #6 LENS

A	CLEAR ACRYLIC
P	CLEAR POLYCARB.
OP	WHITE POLYCARB.
OA	WHITE ACRYLIC

CHART #7 DOOR FASTENERS

AP	ALLEN HEAD W/PIN, STAINLESS
TP	TORX HEAD W/PIN, STAINLESS
PH	PHILLIPS (NON SECURITY)

CHART #8 U.L. LISTING

D	DAMP & DRY LOCATION
W	WET LOCATION

OPTIONS

E1	ONE LAMP EMERGENCY SERVICE
FH	FUSE AND HOLDER
CU	CANADIAN U.L. LISTED

DIMENSIONS AND SPECIFICATIONS SUBJECT TO CHANGE WITHOUT NOTIFICATION.

