

MSG Series Fluorescent Light Fixture

The MSG Series is designed for wall mounted use along hallways or wherever headroom is limited.



Housing Die formed marine grade aluminum housing with continuously welded seams.

Lens Prismatic acrylic diffuser.

Lens frame Marine grade aluminum frame with a full length hinge on one side and with two spring loaded quarter turn fasteners for easy access to lamps and maintenance of the fixture.

Finish White powder coat polyester finish with phosphate pretreatment to ensure superior adhesion.

Ballast Standard universal 120-277 VAC, 50/60 Hz, electronic ballast (consult factory for other options).

Features

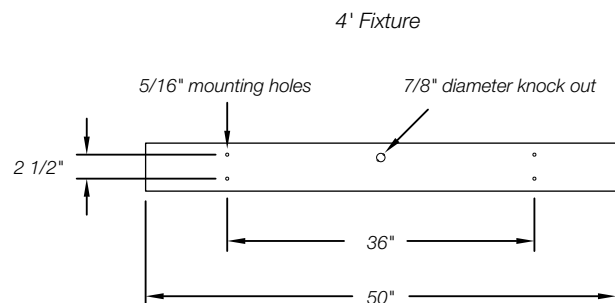
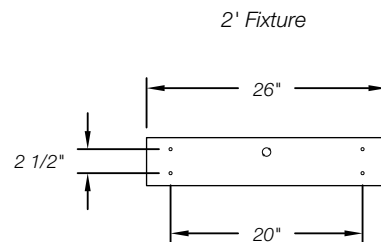
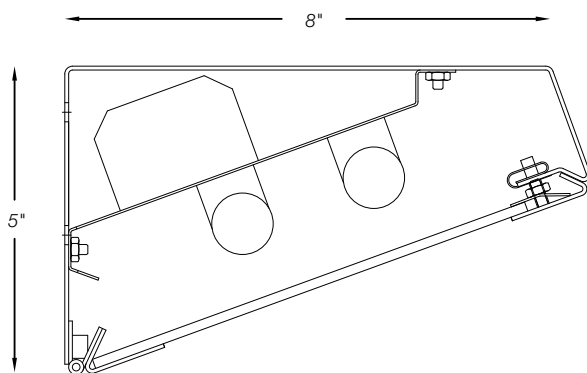
- » Drip-proof
- » UL 1598A marine
- » USCG-ABS
- » 2 or 4 ft. fixture lengths
- » One or two lamp combinations
- » IP 54

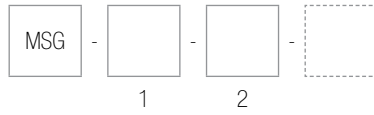
Applications

- » Hallways
- » Work stations
- » Passageways
- » Engine rooms

Dimensions *dimensions and specifications subject to change without notification*

Weight: 4 ft. with electronic ballast = 16 lbs. (7.3 kg)
2 ft. with electronic ballast = 11 lbs. (5.0 kg)





1 Lamp type

17	<i>17W T8 (2 ft.)</i>
28	<i>28W T5 (4 ft.)</i>
32	<i>32W T8 (4 ft.)</i>

2 Lamp quantity

1	<i>One</i>
2	<i>Two</i>

Options

E1	<i>One lamp emergency service</i>
E2	<i>Two lamp emergency service</i>
