

ML290 Series LED Light Fixture

The ML290 Series is a general use fixture with an array of high output LEDs for maintenance free applications. Available with a diffusing white or clear prismatic lens, an optional toggle switch and AC or DC power. Watertight, supplied with a boot for the toggle switch option.



Housing Manufactured of cast aluminum. Packed with a liquid and oil tight cord grip.

Lens Thermoformed white or prismatic 1/4" acrylic lens secured to the housing with four captive screws. Gasketed with a closed cell neoprene O-ring for a watertight seal.

Lamp High-brightness six LED array available in white, cyan or red. 50,000 hour life.

Finish White powder coat polyester, inside and out.

Features

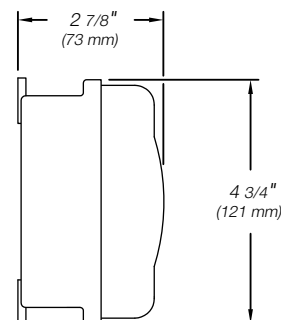
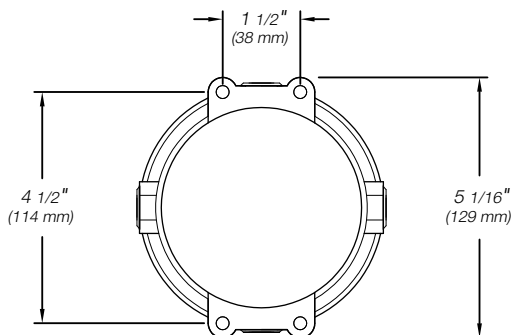
- » Watertight housing
- » Maintenance free operation
- » UL 1598 marine
- » IP 67

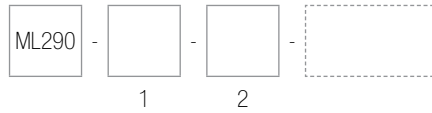
Applications

- » Refrigerated spaces
- » Detail lighting
- » Small areas
- » Hard to access spaces

Dimensions *dimensions and specifications subject to change without notification*

Weight: 1.25 lbs. (0.57 kg)





1 Lens

P	<i>Clear prismatic acrylic</i>
W	<i>White acrylic</i>

2 LED Color

W	<i>White LED PCB</i>
C	<i>Cyan LED PCB</i>
R	<i>Red LED PCB</i>

Options

TS	<i>Toggle switch</i>
120	<i>120 VAC</i>
24DC	<i>24 volt DC</i>
