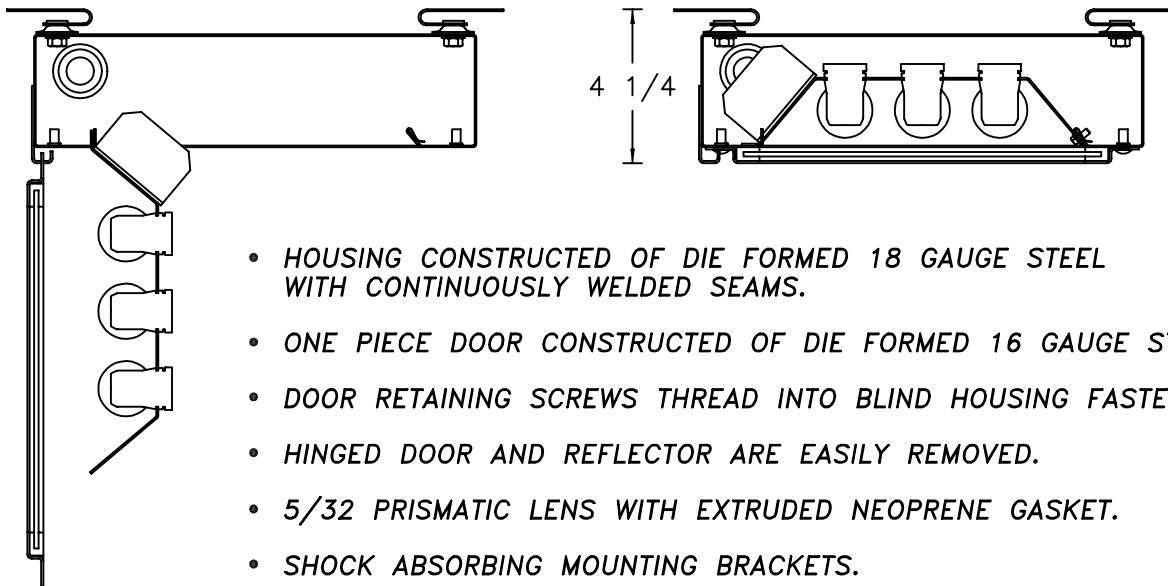
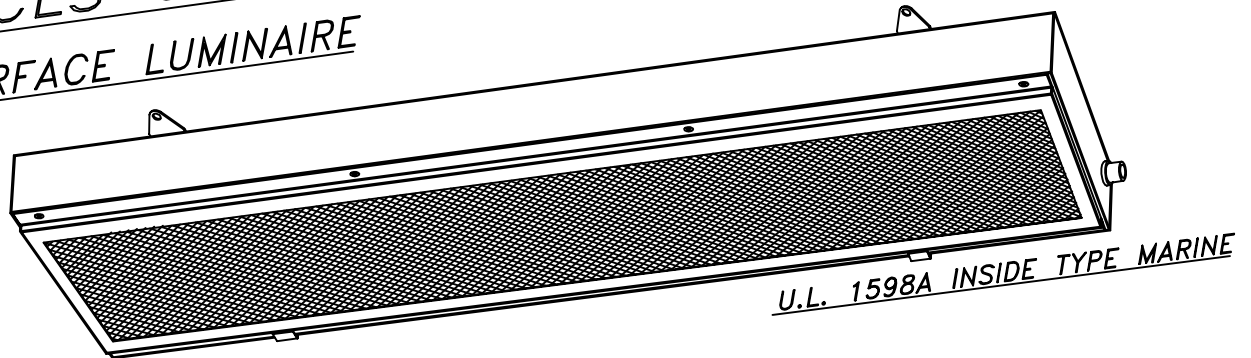
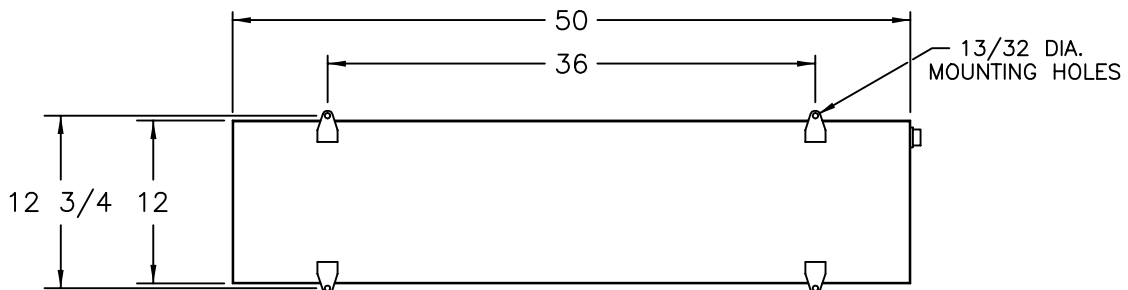


COMMERCIAL MARINE

MCLS SERIES SURFACE LUMINAIRE



- HOUSING CONSTRUCTED OF DIE FORMED 18 GAUGE STEEL WITH CONTINUOUSLY WELDED SEAMS.
- ONE PIECE DOOR CONSTRUCTED OF DIE FORMED 16 GAUGE STEEL.
- DOOR RETAINING SCREWS THREAD INTO BLIND HOUSING FASTENERS.
- HINGED DOOR AND REFLECTOR ARE EASILY REMOVED.
- 5/32 PRISMATIC LENS WITH EXTRUDED NEOPRENE GASKET.
- SHOCK ABSORBING MOUNTING BRACKETS.
- 1/2" NPT CONDUIT HUB.



COMMERCIAL MARINE

EXAMPLE: MCLS323-CW-120EL-15PH

| | | | | | | | | | | | | | | |
|-------|---|---|---|---|---|---|---|---|---------|--|--|---|--|--|
| MCLS | | | - | | | - | | | - | | | - | | |
| CHART | 1 | 2 | 3 | 4 | 5 | 6 | 7 | 8 | OPTIONS | | | | | |

| | | | |
|---------|---|---------------|--|
| CHART 1 | | LAMPS | |
| 1 | 7 | 17W RS 2' T8 | |
| 2 | 0 | 20W PH 2' T12 | |
| 3 | 2 | 32W RS 4' T8 | |
| 4 | 0 | 40W RS 4' T12 | |
| | | | |

| | | | |
|---------|---|---------------------------|--|
| CHART 6 | | BALLAST | |
| E | S | ENERGY SAVING RAPID START | |
| E | L | ELECTRONIC | |
| L | T | LOW TEMPERATURE | |
| H | P | HIGH POWER FACTOR | |
| | | | |

| | | | |
|---------|---|------------------|--|
| CHART 2 | | LAMP QTY. | |
| 1 | 2 | 3 | |

LAMPS NOT INCLUDED

| | | | |
|---------|---|----------------------------|--|
| CHART 7 | | LENS | |
| 1 | 5 | .156 POLYCARB. K12 PRISM. | |
| 5 | 5 | .156 ACRYLIC K12 PRISM. | |
| 7 | 5 | .156 TEMPERED GLASS PRISM. | |
| | | | |

| | | | |
|---------|-------------------|-----------------------|--|
| CHART 3 | | MATERIAL SPEC. | |
| C | COLD ROLLED STEEL | | |
| S | STAINLESS STEEL | | |
| | | | |

| | | | |
|---------|---|-----------------------------------|--|
| CHART 8 | | FASTENERS | |
| A | P | ALLEN HEAD W/PIN, STAINLESS STEEL | |
| T | P | TORX HEAD W/PIN, STAINLESS STEEL | |
| P | H | PHILLIPS HEAD, STAINLESS STEEL | |
| | | | |

| | | | |
|---------|-------------------------|---------------|--|
| CHART 4 | | FINISH | |
| W | WHITE | | |
| R | BRUSHED, STAINLESS ONLY | | |
| | | | |

| | | | |
|---------|-----|-------------------------|--|
| CHART 5 | | VOLTAGE (60 Hz.) | |
| 120 | 277 | 347 | |

| | | |
|----------------|---|------------------------------------|
| OPTIONS | | |
| N | L | NIGHT LIGHT, F8T5 LAMP (NOT INCL.) |
| L | L | LAMP LOCKS FOR T12 LAMPS |
| 2 | H | TWO CONDUIT HUBS, ONE EACH END |
| | | |
| | | |

DIMENSIONS AND SPECIFICATIONS SUBJECT TO CHANGE WITHOUT NOTIFICATION.

MODIFICATIONS ARE AVAILABLE TO SUIT CUSTOM REQUIREMENTS.



THE L.C. DOANE COMPANY DESIGNERS AND MANUFACTURERS OF SPECIALIZED LIGHTING EQUIPMENT

P.O. Box 975 • Essex, CT 06426 • (860) 767-8295 • Fax (860) 767-1397 • Web Site: www.lcdoane.com