

# COMMERCIAL MARINE

## M450 Series

### Surface Mount Fluorescent Light Fixture

The M450 Series is designed for bulkhead mounted use. Constructed from marine grade aluminum, with an acrylic diffuser.



#### Specifications

**HOUSING:** Extruded aluminum housing with die-formed ends. Available with a single receptacle and lighted switch.

**REFLECTOR:** A specular aluminum one piece electrical component mounting tray, locking Bi-Pin lampholders.

**LENS:** One piece impact resistant white linear prismatic acrylic.

**FINISH:** White, powder coat polyester with phosphate pretreatment to ensure superior adhesion.

**BALLAST:** Standard 120 Volt, Class P. Consult factory for other options.

**WARRANTY:** 5 years against defective material and workmanship.

**Dimensions:** Dimensions and specifications subject to change without notification. Weight: 1 ft = 2.2 lbs. (1 kg)  
2 ft = 4.4 lbs. (2 kg)

#### Applications

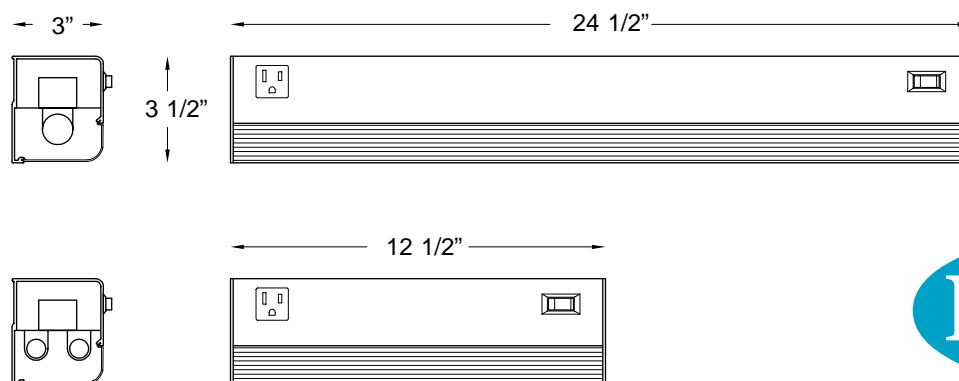
- **Bunks, bulkheads**
- **Mirror light**
- **Passageways**
- **Chart Light**

UL 1598A Marine

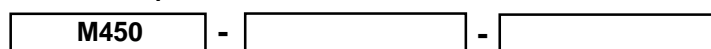
U.S.C.G. - ABS

1 or 2 lamp combinations

Modifications are available to suit custom requirements



#### How To Order Example: M450-17.



**SERIES**

**LAMP TYPE**

**OPTIONS**

- 8= 2-F8T5 (12")
- 13= 2-F13T5 (21")
- 15= 1-F15T8 (18")
- 17= 1-F17T8 (24")
- 32= 1-F32T8 (48")

- CO= Convenience outlet
- SW= Switch
- Custom colors upon request



**THE L.C. DOANE COMPANY** DESIGNERS AND MANUFACTURERS OF SPECIALIZED LIGHTING EQUIPMENT  
P.O. Box 975 • Essex, CT 06426 • (860) 767-8295 • Fax (860) 767-1397 • Web Site: [www.lcdoane.com](http://www.lcdoane.com)

ss020422