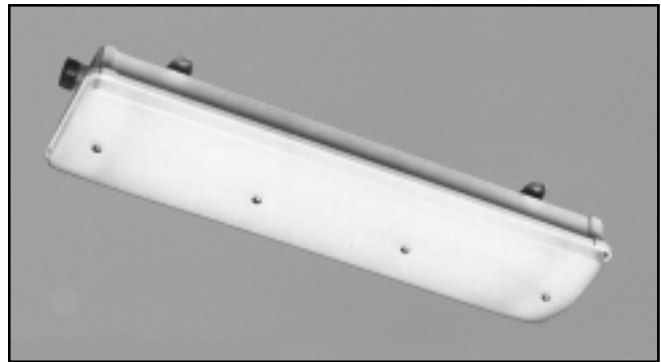


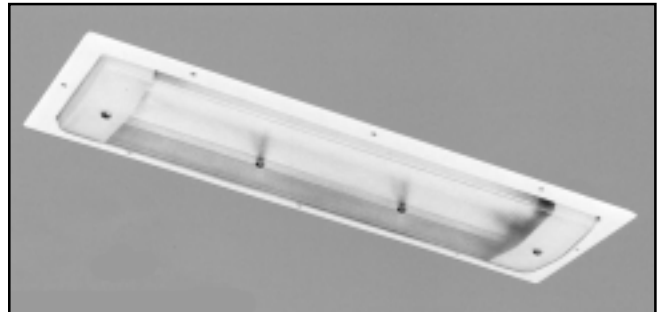
## M300 Series

### Surface or Recessed Mounted Fluorescent Light Fixture

The M300 Series is engineered and constructed specifically for unusually severe operating conditions. The housing is manufactured of marine grade aluminum. The lens is formed from 1/4" thick acrylic. Four nickel plated, captive screws hold the lens securely to the housing assuring a watertight seal between the lens and housing.



M300 Surface Mount



M300 Recessed Mount

### Specifications

**HOUSING:** Constructed of marine grade die formed and cast aluminum. A neoprene gasket is seated in a continuous groove to assure a watertight seal between the lens and the housing. Each fixture has one factory installed stuffing tube.

**LAMP HOLDERS:** Fluorescent lampholders are installed with lamplock devices to hold the F20T12 lamps securely in position.

**LENS:** One piece formed 1/4" thick acrylic secured with four nickel plated, captive screws.

**SHOCK MOUNTS:** Zinc plated, shock and vibration resistant mounting brackets.

**FINISH:** White, powdercoat finish, inside and out, phosphate pretreated to ensure superior adhesion and rust resistance.

**BALLAST:** Low power factor type. Operates at 120 volt, 60 Hertz.

Weight: Surface Mount = 12 Lbs. (5.4 kg)

Recessed Mount = 13 Lbs. (6 kg)

### Applications

- **Severe Conditions**
- **Work Stations**
- **Corridors/Stairwells**
- **Engine Rooms**

Watertight lighting fixture

Factory installed stuffing tube

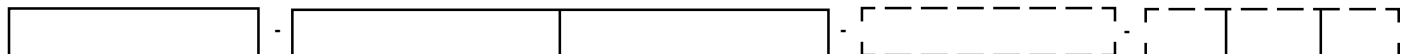
1, 2, or 3 lamp combinations

U.L. 1598A Marine

U.S.C.G. - ABS

Modifications are available to suit custom requirements

### How To Order Example: M303-SW-SW.



#### SERIES

M301 = (1) 20W Lamp  
M300 = (2) 20W Lamps  
M303 = (3) 20W Lamps

#### MOUNTING

S = Surface  
R = Recessed

#### LENS

W = White Diffusing  
P = Clear Prismatic  
C = Clear Flat

#### OPTIONAL

SW = Switch  
2ST = 2nd Stuffing Tube  
(opposite end)  
SJO = 10' of 16/3 cable

#### OPTIONAL FILTERS

R = Red  
B = Blue  
Y = Amber  
G = Grey



**THE L.C. DOANE COMPANY**

DESIGNERS AND MANUFACTURERS OF SPECIALIZED LIGHTING EQUIPMENT  
P.O. Box 975 • Essex, CT 06426 • (860) 767-8295 • Fax (860) 767-1397 • Web Site: [www.lcdoane.com](http://www.lcdoane.com)

ss020422

# COMMERCIAL MARINE

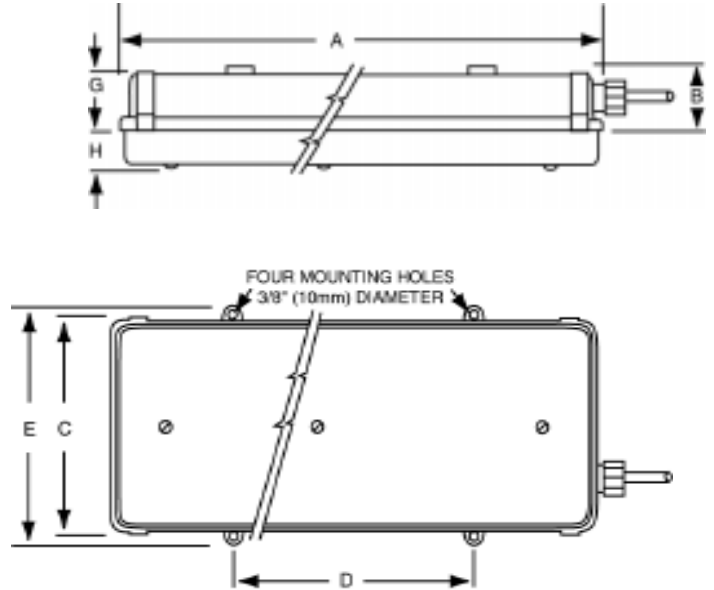
## M300 Series

### Surface or Recessed Fluorescent Light Fixture

**Dimensions** Dimensions and specifications subject to change without notification

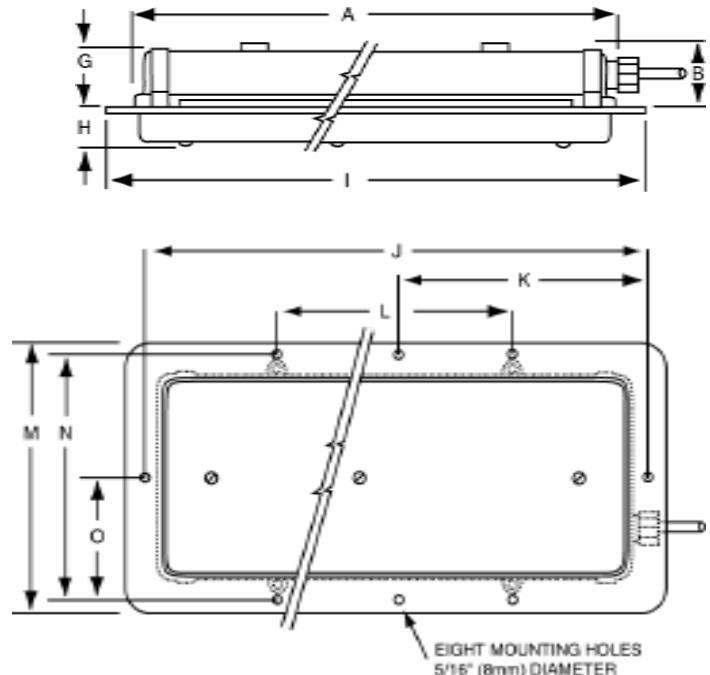
#### Surface Mount Dimensions

|        | M301          | M300          | M303           |
|--------|---------------|---------------|----------------|
|        | inches (mm)   | inches (mm)   | inches (mm)    |
| A      | 29-1/8" (740) | 28-7/8" (734) | 29-3/16" (741) |
| B      | 2-1/4" (57)   | 2-1/2" (64)   | 2-1/2" (64)    |
| C      | 5" (128)      | 7-3/4" (196)  | 9-11/16" (246) |
| D      | 19-7/8" (505) | 19-7/8" (505) | 19-7/8" (505)  |
| E      | 4-3/4" (121)  | 7-1/4" (184)  | 9-1/4" (235)   |
| G      | 1-7/8" (48)   | 2-3/16" (55)  | 2-3/16" (55)   |
| H      | 1-7/16" (36)  | 1-3/16" (30)  | 1-1/2" (38)    |
| Weight | 7 lbs. 12 oz. | 11 lbs. 4 oz. | 14 lbs. 9 oz.  |

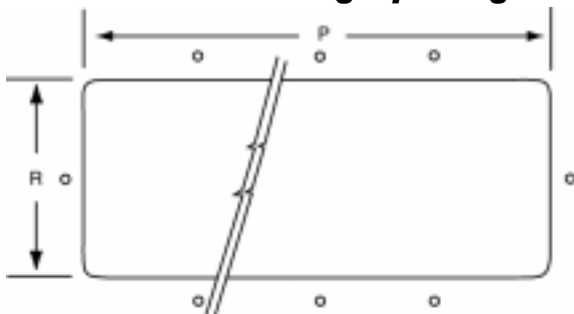


#### Recessed Mount Dimensions

|        | M301           | M300           | M303           |
|--------|----------------|----------------|----------------|
|        | inches (mm)    | inches (mm)    | inches (mm)    |
| A      | 29-1/8" (740)  | 28-7/8" (734)  | 29-3/16" (741) |
| B      | 2-1/4" (57)    | 2-1/2" (64)    | 2-1/2" (64)    |
| G      | 1-7/8" (48)    | 2-3/16" (55)   | 2-3/16" (55)   |
| H      | 1-7/16" (36)   | 1-3/16" (30)   | 1-1/2" (38)    |
| I      | 31-9/16" (802) | 31-5/16" (795) | 31-5/8" (803)  |
| J      | 30-5/16" (770) | 30-1/16" (764) | 30-3/8" (772)  |
| K      | 15-5/32" (385) | 15-1/32" (382) | 15-3/16" (386) |
| L      | 19-7/8" (505)  | 19-7/8" (505)  | 19-7/8" (505)  |
| M      | 7-1/4" (184)   | 9-15/16" (252) | 11-7/8" (302)  |
| N      | 6" (152)       | 8-11/16" (221) | 10-5/8" (270)  |
| O      | 3" (76)        | 8-11/32" (110) | 5-5/16" (135)  |
| P      | 29-9/16" (751) | 29-5/16" (745) | 29-5/8" (752)  |
| R      | 5-1/4" (133)   | 7-15/16" (202) | 9-7/8" (251)   |
| Weight | 9 lbs. 6 oz.   | 13 lbs. 1 oz.  | 16 lbs. 12 oz. |



#### Recommended Ceiling Opening



**THE L.C. DOANE COMPANY** DESIGNERS AND MANUFACTURERS OF SPECIALIZED LIGHTING EQUIPMENT

P.O. Box 975 • Essex, CT 06426 • (860) 767-8295 • Fax (860) 767-1397 • Web Site: [www.lcdoane.com](http://www.lcdoane.com)

ss020422