

M3(HL) Series

Class I, Div II Fluorescent Light Fixture

The M3(HL) Series is designed for surface mounted use in hazardous locations and is constructed from marine grade aluminum with an acrylic diffuser.



- Housing** Die cast aluminum ends cap a die formed aluminum center section. Supplied with 1/2 inch conduit hub.
- Reflector** A one-piece hinged electrical component mounting tray, secured with 1/4 turn fasteners for tool-less access to ballast and wiring. Vibration resistant, spring loaded, medium bi-pin lamp holders.
- Lens** One-piece impact resistant clear textured acrylic seated against an extruded neoprene gasket.
- Lens Retention** Quick release clamping rails make for easy, tool-less access to lamps and electrical components.
- Mounting** Zinc plated, corrosion resistant, shock resistant brackets.
- Finish** White powder coat polyester finish with phosphate pretreatment to ensure superior adhesion.
- Ballast** Standard universal 120-277 VAC, 50/60 Hz, electronic ballast. Consult factory for other options.

Features

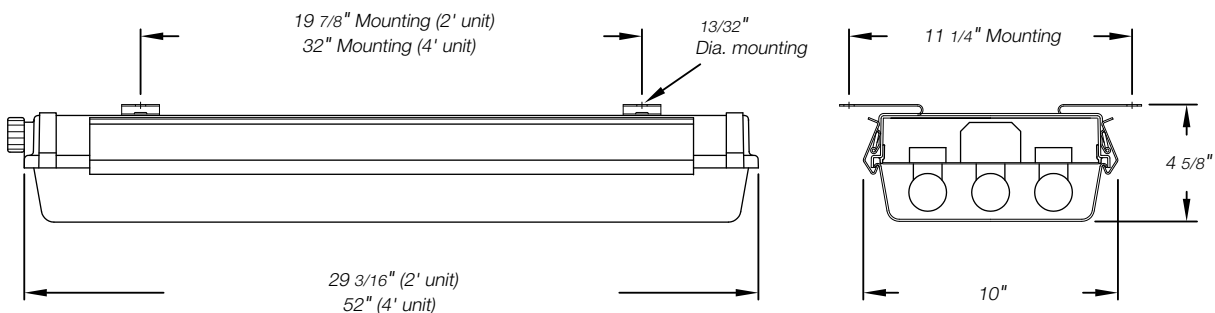
- » 2' or 4' fixture lengths
- » 1, 2, or 3 lamp combination
- » Drip-proof
- » UL 844
- » UL 1598A marine
- » IP 65
- » U.S.C.G. - ABS
- » T3C operating temperature rated
- » -20° C to +40° C ambient temperature rated

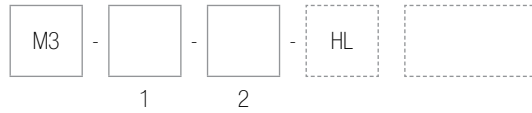
Applications

- » Class I Division II, Groups A, B, C, and D hazardous locations
- » High moisture areas
- » Oil platforms
- » Processing plants
- » Engine rooms

Dimensions *dimensions and specifications subject to change without notification*

Weight: 4 ft. with electronic ballast = 25.0 lbs. (11.3 kg)
2 ft. with electronic ballast = 15.0 lbs. (6.80 kg)





1 Lamp type

17	<i>17W T8, (2 ft)</i>
28	<i>28W T5, (4 ft)</i>
32	<i>32W T8, (4 ft)</i>
54	<i>54W T5, (4 ft)</i>

2 Lamp quantity

1	<i>One</i>
2	<i>Two</i>
3	<i>Three</i>

Options

HL	<i>Class 1, Division 2</i>
2ST	<i>2 Stuffing tubes, one each end</i>
SJO	<i>10' of 16/3 cable, prewired</i>
2C	<i>Two circuit wired</i>
DC	<i>12/24 Volt DC</i>
WG	<i>Wire guard</i>
