

M290 Series

Surface Mount, Detail Incandescent Light Fixture

General incandescent light fixture. Available with either a white or red diffusing lens, also with or without DPST toggle switch.

AC or DC, utilizing a Double Contact Bayonet lampsocket. Watertight, supplied with a boot for the toggle switch. Three gland nut and washer assemblies are packaged with the light fixture to provide for additional branch lighting circuits.

Incandescent lamp and cable not furnished.



M290 Series

Specifications

HOUSING: Manufactured of cast aluminum. Packed with three gland nut and washer assemblies.

LENS: Thermoformed 1/4" acrylic, secured to the housing with four captive screws. Gasketed with a sealed closed cell extruded neoprene.

LAMP: Double Contact Bayonet Candelabra Style (not included)

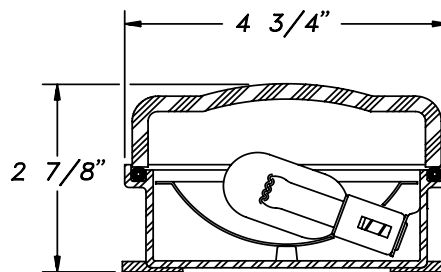
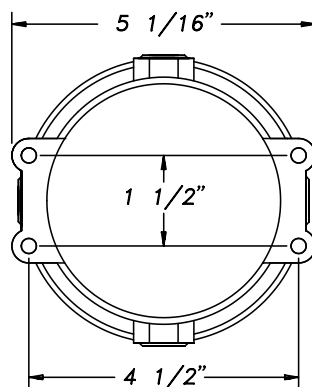
FINISH: White, powdercoat polyester, inside and out, phosphate pretreated to ensure superior adhesion and rust resistance.

CERTIFICATION: UL listed 1598.

WARRANTY: 5 years against defective material and workmanship.

Dimensions Dimensions and specifications subject to change without notification

Weight: = 1.5 Lbs.
(.75kg)



Applications

- Refrigerated Spaces
- Detail Light
- Small areas

Watertight Housing

Capable of branch lighting circuit

DPST Toggle Switch

How To Order Example: M290-W-TS.

