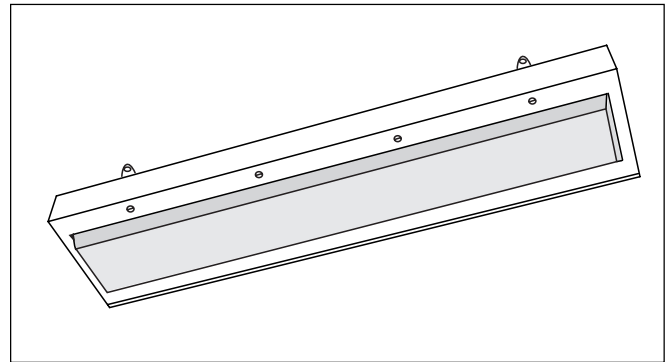


COMMERCIAL MARINE

M100D Series

Surface Mount Fluorescent Light Fixture 1 X 2 Housing

Designed and constructed for commercial marine/wet location surface mount ceiling applications. The design is dripproof, yet easy to install and service. Constructed from marine grade aluminum with an acrylic lens.



M100D Series

Specifications

HOUSING: Manufactured of die formed aluminum with continuously welded seams.

LENS FRAME: Manufactured of aluminum. Hinged the full length on one side, and latched with spring loaded quarter turn fasteners for easy access to lamps and maintenance of the fixture.

LENS: Thermoformed white acrylic with a neoprene "U" channel gasket added to the lens and sandwiched between the lens and lens frame to provide a watertight seal.

LAMP HOLDERS: Fluorescent lampholders are installed with vibration resistant spring loaded medium Bi-Pin lampholders to hold the lamps securely in position.

FINISH: White, powdercoat polyester, inside and out, phosphate pretreated to ensure superior adhesion and rust resistance.

BALLAST: Standard 120 Volt, HPF. For modifications to voltage and ballast type consult the factory.

WARRANTY: 5 years against defective material and workmanship.

Applications

- **Surface Mount**
- **Narrow Housing**
- **Passageways**
- **Work Stations**

Dripproof surface mount

Available in 2 foot length

1 or 2 lamp combination

U.L. 1598A Marine

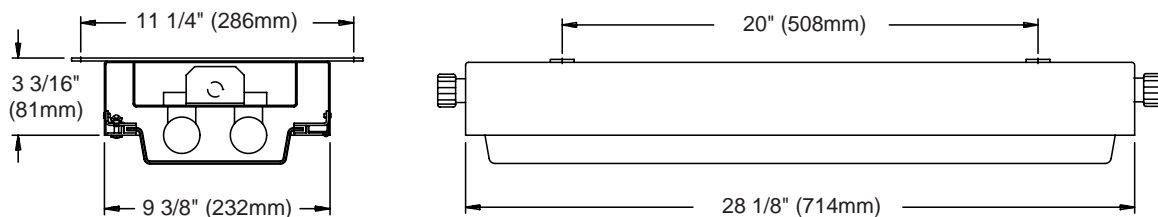
U.S.C.G. - ABS

Modifications are available to suit custom requirements

Dimensions

Dimensions and specifications subject to change without notification

Weight: 1 X 2 = 13 Lbs. (6kg)



How To Order

Example: M100D-20/2-SJO.

M100D	-		/		-	
SERIES		LAMP TYPE		LAMP QUANTITY		OPTIONS
		17 = 17W T8 20 = 20W T12		1 = 1 Lamp 2 = 2 Lamps Lamps not included		E1 = One lamp emergency 90 min. SJO = 10' of 16/3 Cable, Prewired DC = 12-24 Volt DC 2C = Two Circuit Wired



THE L.C. DOANE COMPANY DESIGNERS AND MANUFACTURERS OF SPECIALIZED LIGHTING EQUIPMENT

P.O. Box 975 • Essex, CT 06426 • (860) 767-8295 • Fax (860) 767-1397 • Web Site: www.lcdoane.com ss020422